

Shadow



Flush Mount Down Light

Note:

- Lumitec Flush Mount Down Lights should be installed by qualified persons only.
- Your Lumitec Flush Mount Down Lights are fully sealed, and suitable for mounting in interior and exterior spaces. However they are not designed to be permanently mounted underwater.
- Light circuits should be protected with an appropriately sized fuse or circuit breaker. Each light can draw up to 580mA @ 12VDC / 290mA @ 24VDC. Fuses on circuits with multiple lights should be sized accordingly.
- Lights may get warm or hot to the touch during operation. This is normal and will not cause damage to typical mounting surfaces, including fiberglass and wood and fabrics. The lights should NOT be mounted on highly flammable substrates or mounting surfaces which are particularly sensitive to high temperatures.

Mounting:

- Use the template below to drill the appropriately sized hole for the light body.
- Connect the wires on the light to the vessel's DC power system. Device is polarity sensitive. The black wire should be connected to the vessel's (-) (or ground), and the white or red wire should be connected to the vessel's +12VDC or +24VDC supply.
- Mounting hole should be no larger than 2" in diameter. Use the appropriate sized drill bit to pre-drill for the #6 mounting screws which have been provided.

Operation:

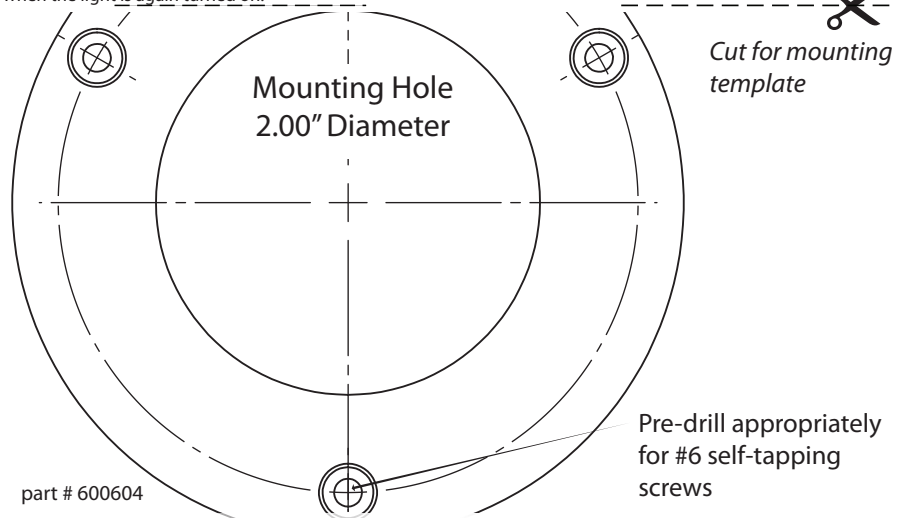
- Light may be controlled by any SPST (eg toggle or rocker) switch.

For 4-color operation:

- Your light offers 4 colors of light output to suit any mood.
- To change colors, simply turn the lights off, and then immediately back on. Repeat this process to cycle through all available colors.
- The light will 'reset' after being off for approximately 2 seconds. This ensures that the red light illuminates when the light is again turned on.
- Multiple lights may be installed on the same switch circuit. In the unlikely event that lights become 'out of sync' (eg lights illuminating different colors) simply reset the lights by turning off for 3 seconds.

For 2-color dimmed lights:

- The high-output white light is dimmable to reduce power consumption and create a softer look.
- To dim the white light: Note the slow ramp of the light intensity when the white light is illuminated. When the light reaches the desired intensity, turn the light off, then immediately back on. This will hold the light at the desired intensity.
- To change colors, simply turn the lights off, and then immediately back on after the dimming stage is complete. Note that the light will 'reset' after being off for approximately 2 seconds. This ensures that the white light illuminates when the light is again turned on.



Shadow



Flush Mount Down Light

Note:

- Lumitec Flush Mount Down Lights should be installed by qualified persons only.
- Your Lumitec Flush Mount Down Lights are fully sealed, and suitable for mounting in interior and exterior spaces. However they are not designed to be permanently mounted underwater.
- Light circuits should be protected with an appropriately sized fuse or circuit breaker. Each light can draw up to 580mA @ 12VDC / 290mA @ 24VDC. Fuses on circuits with multiple lights should be sized accordingly.
- Lights may get warm or hot to the touch during operation. This is normal and will not cause damage to typical mounting surfaces, including fiberglass and wood and fabrics. The lights should NOT be mounted on highly flammable substrates or mounting surfaces which are particularly sensitive to high temperatures.

Mounting:

- Use the template below to drill the appropriately sized hole for the light body.
- Connect the wires on the light to the vessel's DC power system. Device is polarity sensitive. The black wire should be connected to the vessel's (-) (or ground), and the white or red wire should be connected to the vessel's +12VDC or +24VDC supply.
- Mounting hole should be no larger than 2" in diameter. Use the appropriate sized drill bit to pre-drill for the #6 mounting screws which have been provided.

Operation:

- Light may be controlled by any SPST (eg toggle or rocker) switch.

For 4-color operation:

- Your light offers 4 colors of light output to suit any mood.
- To change colors, simply turn the lights off, and then immediately back on. Repeat this process to cycle through all available colors.
- The light will 'reset' after being off for approximately 2 seconds. This ensures that the red light illuminates when the light is again turned on.
- Multiple lights may be installed on the same switch circuit. In the unlikely event that lights become 'out of sync' (eg lights illuminating different colors) simply reset the lights by turning off for 3 seconds.

For 2-color dimmed lights:

- The high-output white light is dimmable to reduce power consumption and create a softer look.
- To dim the white light: Note the slow ramp of the light intensity when the white light is illuminated. When the light reaches the desired intensity, turn the light off, then immediately back on. This will hold the light at the desired intensity.
- To change colors, simply turn the lights off, and then immediately back on after the dimming stage is complete. Note that the light will 'reset' after being off for approximately 2 seconds. This ensures that the white light illuminates when the light is again turned on.

