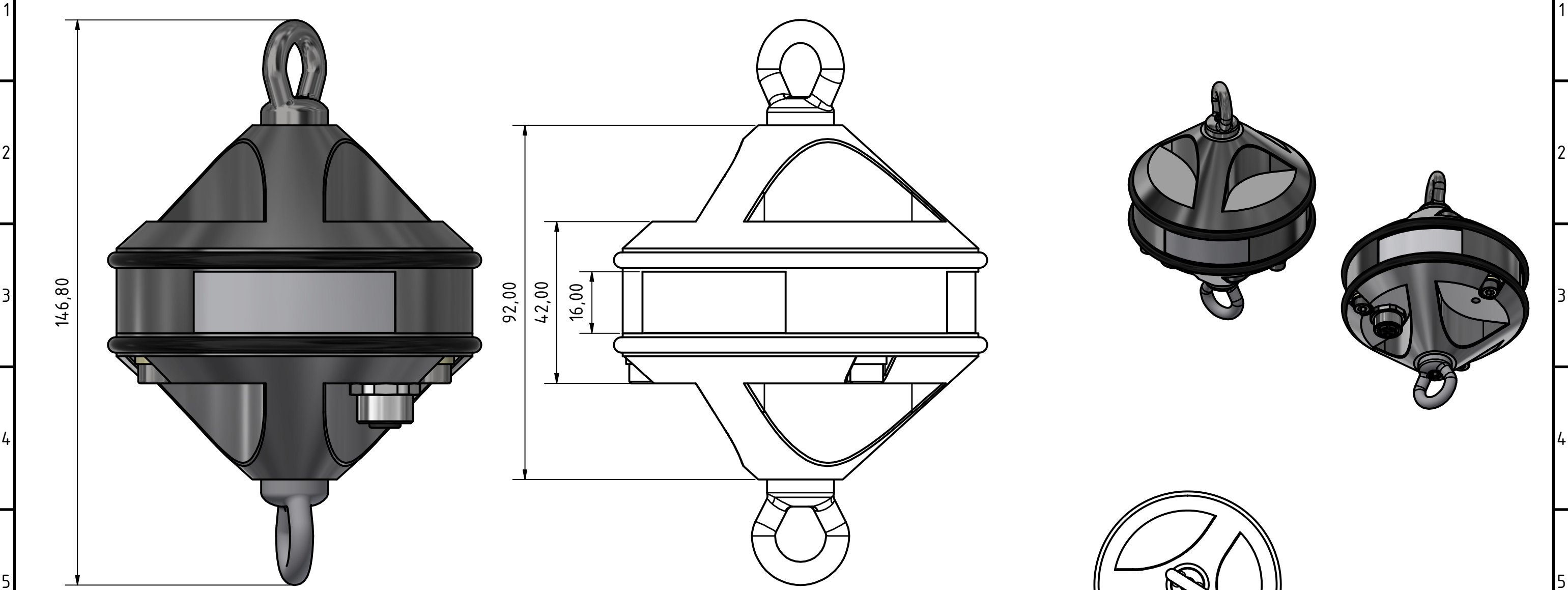
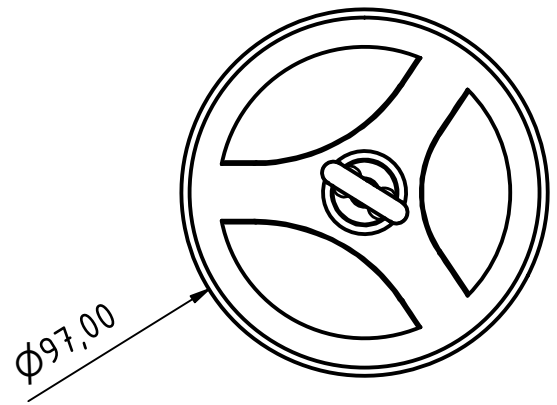
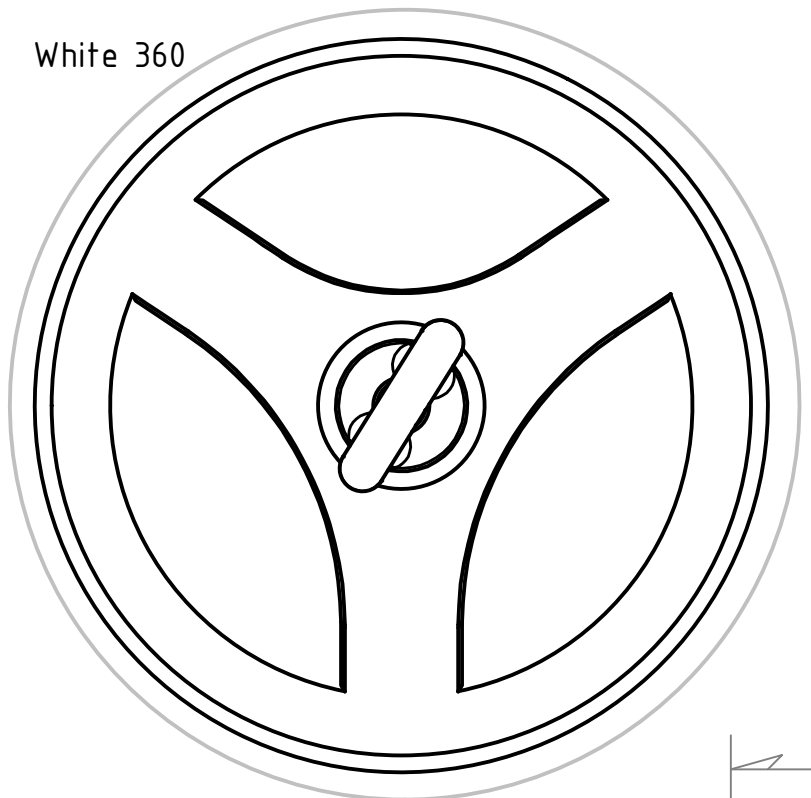


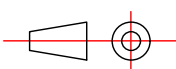
A | B | C | D | E | F | G | H | I | J



White 360



50MM AT A3



TITLE: 200-012G2-H1C 2 NM 360 deg White, Hoistable, 1 connector					
DRAWING NO.: 200-012G2-H1C-AA				DRAWN BY: Thomas	
REV. NO.:	SIZE:	SCALE:	TOLERANCES:	REVIEWED BY:	CREATION DATE:
1	A3	1 : 1	DS/ISO 2768-f		16-11-2021
MATERIAL DESCRIPTION: EN6082, Acrylic. AISI316, EPDM					

This Drawing, and the information within, is the property of Lopolight ApS and may not be used in any form without express permission there from. Lopolight reserves the right to change this drawing and assumes no liability for the information communicated herein. Use of dimensions and other information in this drawing is at the users own risk.



Lopolight ApS
Bakkegaardsvej 513
DK-3050, Humlebaek
Denmark
www.lopolight.com

Tel:(+45) 32 48 50 30
info@lopolight.com

A | B | C | D | E | F | G | H | I | J

1
2
3
4
5
6
7
8

1
2
3
4
5
6
7
8