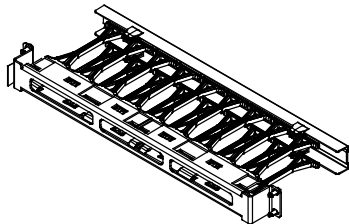


## HTK-Type Horizontal Cable Management Kit

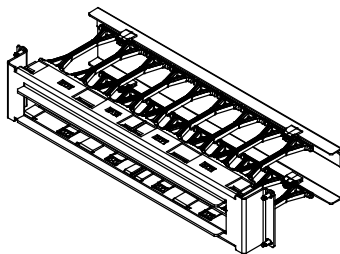
### General

The HTK-type horizontal cable management kits are installed on a 19-inch (483mm) wide industry standard rack above or below panels to organize patch cables. The kits are available in a single-sided and double-sided configuration, and in a 1U-, 2U-, and 3U-height. The units include covers that can be opened from the top, the bottom, or removed altogether. The cover hinges are designed to hold the cover open from the top or bottom to facilitate faster cabling. The 1U single-sided and both 2U and 3U single-sided and double-sided cable managers have a pass-through feature, which allows access to and from the rear for additional cable routing. The single-sided units are 7.07 inches (180mm) deep from front to back with the cover closed. The double-sided units are 14.14 inches (359mm) deep from front to back with the covers closed.

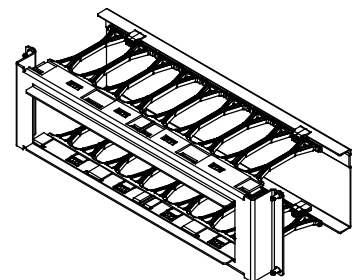
Ordering information is listed below:



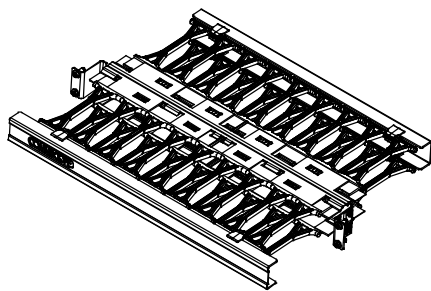
**HTK-SS-1RU**  
**760072942**  
 1U single-sided  
 with pass-through feature



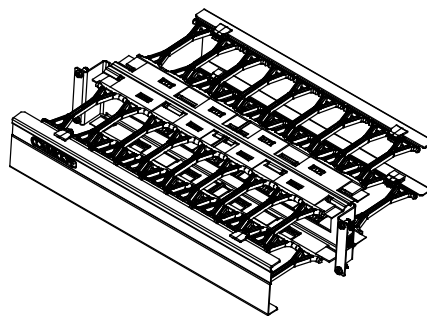
**HTK-SS-2RU**  
**760072959**  
 2U single-sided  
 with pass-through feature



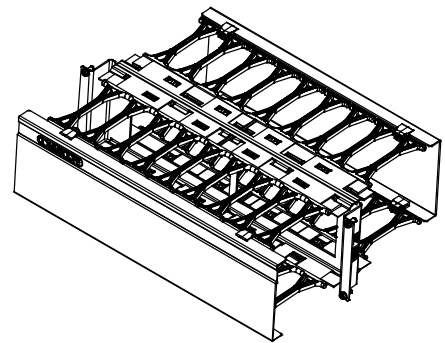
**HTK-SS-3RU**  
**760072967**  
 3U single-sided  
 with pass-through feature



**HTK-DS-1RU**  
**760128843**  
 1U double-sided  
 without pass-through feature



**HTK-DS-2RU**  
**760128850**  
 2U double-sided  
 with pass-through feature



**HTK-DS-3RU**  
**760128868**  
 3U double-sided  
 with pass-through feature

### How to Contact Us

- To find out more about **CommScope®** products
- For technical assistance:
  - Within the United States, contact your local account representative or technical support

States, contact your local account representative or **PartnerPRO™** Network Partner.

- Within the United States, report any missing/damaged parts or any other issues to **CommScope** Customer Claims at 1-866-539-2795 or email to [claims@commscope.com](mailto:claims@commscope.com). Outside the United States, contact your local account representative or **PartnerPRO** Network Partner.

## Parts List

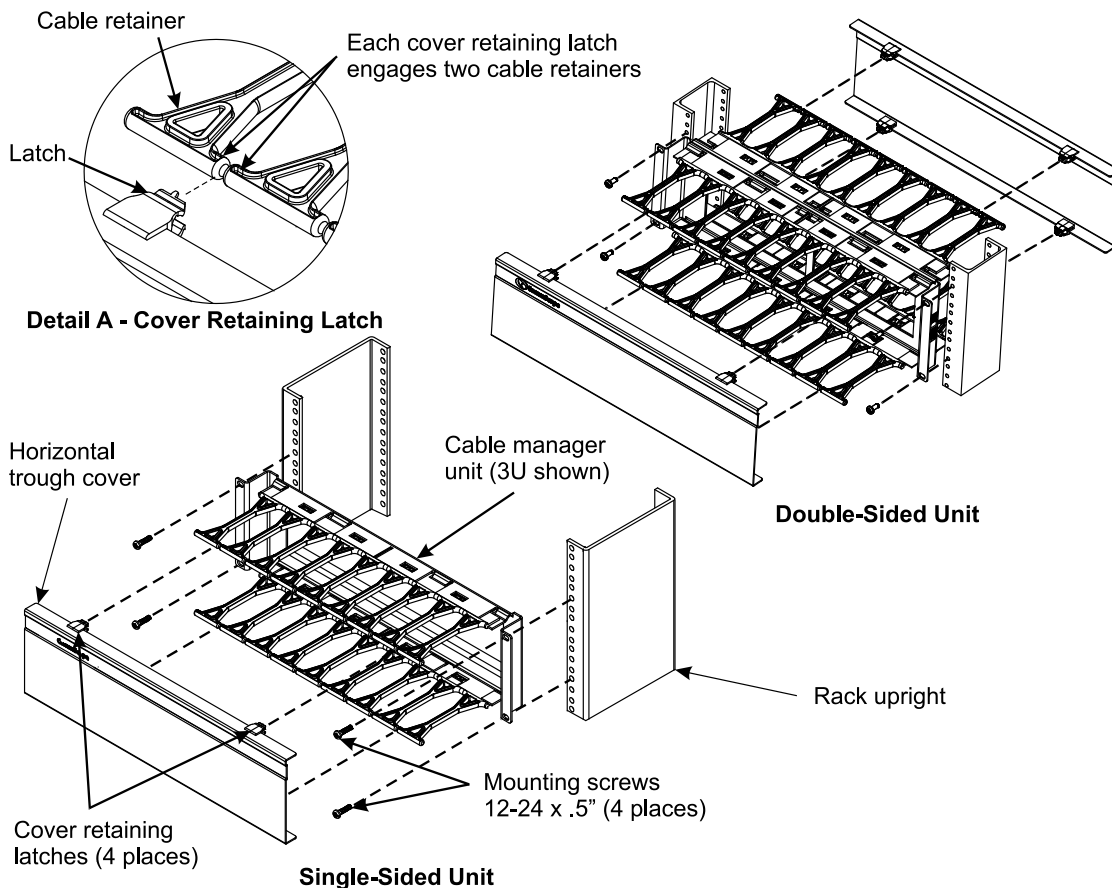
Verify parts against the parts list below:

Quantity		Description
Single-Sided	Double-Sided	
1	1	Horizontal trough unit
1	2	Horizontal trough cover
4	4	Mounting screws, 12-24 x 0.5"

## Tools Required

Phillips head screwdriver

## Installation



1. Mount horizontal cable manager unit to a 19-inch rack using the four 12-24 screws provided (see figure above).
2. Install a cover on horizontal cable manager unit by positioning a finger over either the bottom two or the top two cover retaining latches and guiding the latches over the cable retainers. Position the latches so that each latch engages the ends of two cable retainers and push until the latches snap on. The latches should be centered between two cable retainers. See Detail A above.
3. Repeat this step for the other two latches until the cover is secured.
4. If the unit is double-sided, repeat steps 2 and 3 to install the cover on the opposite side.

**Note:** The cover retaining latches also function as hinges. Hold cover on the top and bottom and pull either the top or bottom until the two latches release. When the cover is opened to 90° the remaining two engaged latches will hold the cover in that position (either from the top or bottom) to allow for faster cabling. Simply push in on the opened edge of the cover to disengage the hinge feature and close the cover.