



**1800 SRWD Tower Sections  
Distribution of 1.25-in Diameter Leg Sections at  
the Top of the Tower  
Freestanding Application**

[www.rfwel.com/bwa](http://www.rfwel.com/bwa)

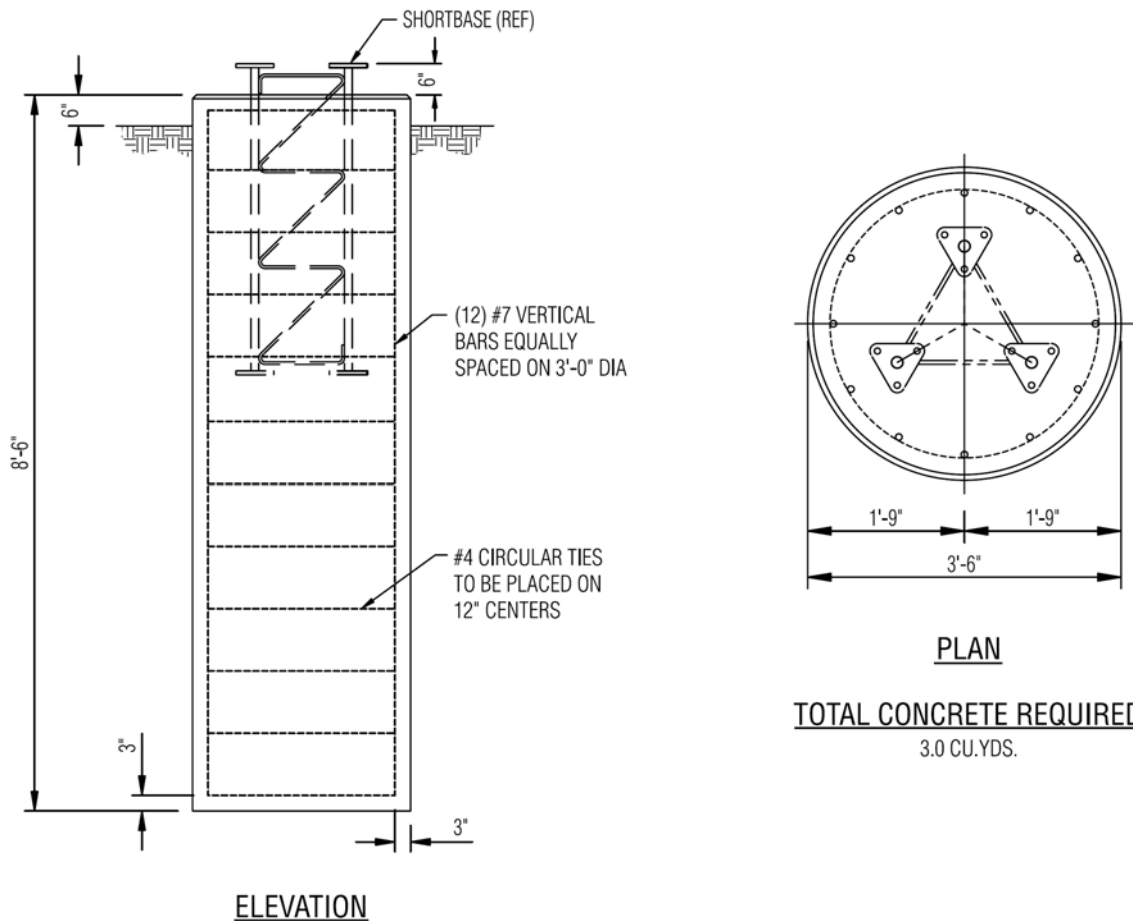
+1.480.218.1877

Notes:

1. Value listed is the length of tower in feet, from the top downwards, utilizing sections with 1.25-in diameter legs
2. Short base section, where applicable, will always utilize 1.50-in diameter leg sections
3. The lowest 1.25-in leg section must be a transition section



**1800 SRWD Tower Sections –  
Freestanding Application  
Short Base Caisson Foundation Design  
For EIA Normal 4000 PSF Soil**

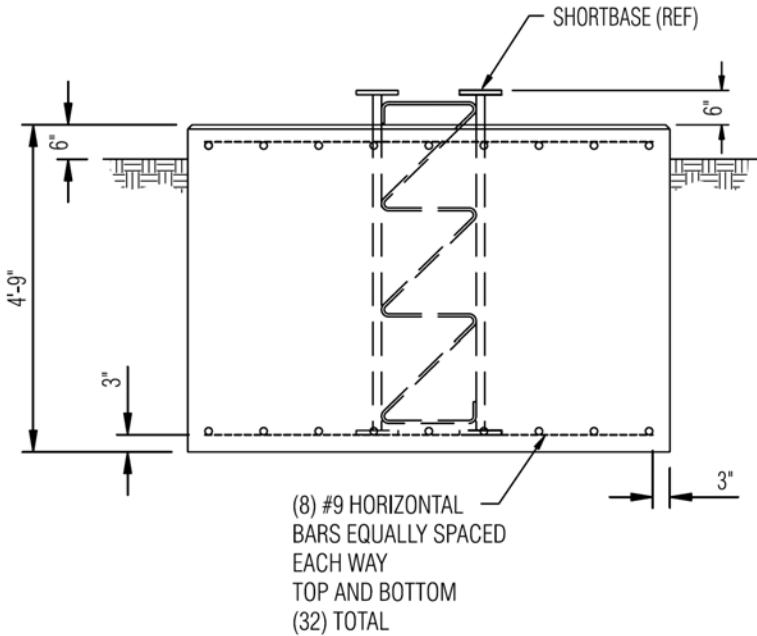


General Foundation Notes:

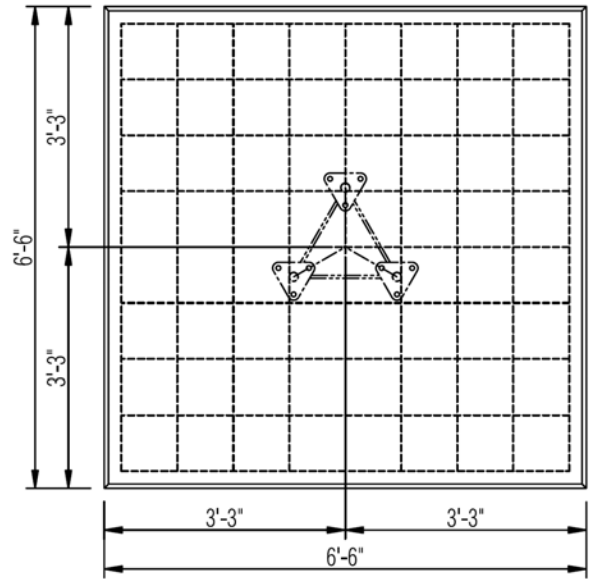
1. Concrete to conform to the requirements of ACI 318-02 and shall have a minimum 28 day compressive strength of 3,000 psi. All concrete is to be placed against undisturbed soil free of water and any foreign materials.
2. Rebar to conform to the requirements of ASTM Specification A615 Grade 60. All rebar to have a minimum of 3-in (7.62-cm) concrete cover.
3. All exposed concrete corners to be chamfered 3/4-in (1.905-cm).
4. Foundations designed in accordance with ANSI/TIA/EIA-222-F-1996 using the following:
  - 1/3 allowable stress increase considered
  - Allowable net vertical bearing capacity = 4000 psf
  - Allowable net horizontal pressure = 400 psf/ft depth (to a maximum of 4000 psf)
  - Soil density = 100 pcf
  - Concrete density = 150 pcf
  - Water table located below bottom of foundation
  - Frost depth less than depth to bottom of foundation
  - For uplift capacity, weight of foundation plus weight of soil enclosed within an inverted pyramid or cone whose sides form an angle of 30-degrees with the vertical.
5. A soil analysis should be performed to determine the appropriate site specific parameters to be used for design of the foundations. Foundation designs should be evaluated by a competent registered professional engineer for each particular application.



**1800 SRWD Tower Sections –  
Freestanding Application  
Short Base Mat Foundation Design  
For EIA Normal 4000 PSF Soil**



ELEVATION



PLAN

TOTAL CONCRETE REQUIRED  
7.4 CU.YDS.

General Foundation Notes:

1. Concrete to conform to the requirements of ACI 318-02 and shall have a minimum 28 day compressive strength of 3,000 psi. All concrete is to be placed against undisturbed soil free of water and any foreign materials.
2. Rebar to conform to the requirements of ASTM Specification A615 Grade 60. All rebar to have a minimum of 3-in (7.62-cm) concrete cover.
3. All exposed concrete corners to be chamfered 3/4-in (1.905-cm).
4. Foundations designed in accordance with ANSI/TIA/EIA-222-F-1996 using the following:
  - 1/3 allowable stress increase considered
  - Allowable net vertical bearing capacity = 4000 psf
  - Allowable net horizontal pressure = 400 psf/ft depth (to a maximum of 4000 psf)
  - Soil density = 100 pcf
  - Concrete density = 150 pcf
  - Water table located below bottom of foundation
  - Frost depth less than depth to bottom of foundation
  - For uplift capacity, weight of foundation plus weight of soil enclosed within an inverted pyramid or cone whose sides form an angle of 30-degrees with the vertical.
5. A soil analysis should be performed to determine the appropriate site specific parameters to be used for design of the foundations. Foundation designs should be evaluated by a competent registered professional engineer for each particular application.