

CTHC-12G Passive Headend Combiner

Product Description

The CTHC-12G is a professional quality 12-port passive output combiner designed for commercial grade, private cable networks employing multiple modulators and processing equipment. Quality design engineering and manufacturing are reflected in the CTHC-12G's port-to-port isolation figures as well as the unit's insertion loss specifications. Input and output return loss figures contribute to the CTHC-12G's highly competitive specs.

The CTHC-12G is 19" rack mountable, and withstand environmental temperatures up to 122° F.

Support for 12 devices, compelling performance specifications, and installation flexibility makes the CTHC-12G an outstanding value.

Application

Commercial grade headends where the signals from multiple modulators and processors must be combined and distributed as RF over a cable distribution network.



Features and Benefits

- Supports up to 12 modulators and/or processors
- Broad frequency range of 40 – 1000 MHz supporting virtually all cable network services
- Excellent port-to-port signal isolation, insertion loss, and input/output return loss figures to ensure excellent signal reproduction
- -20 dB test port
- Excellent value
- 1 year warranty
- 3 year extended warranty available

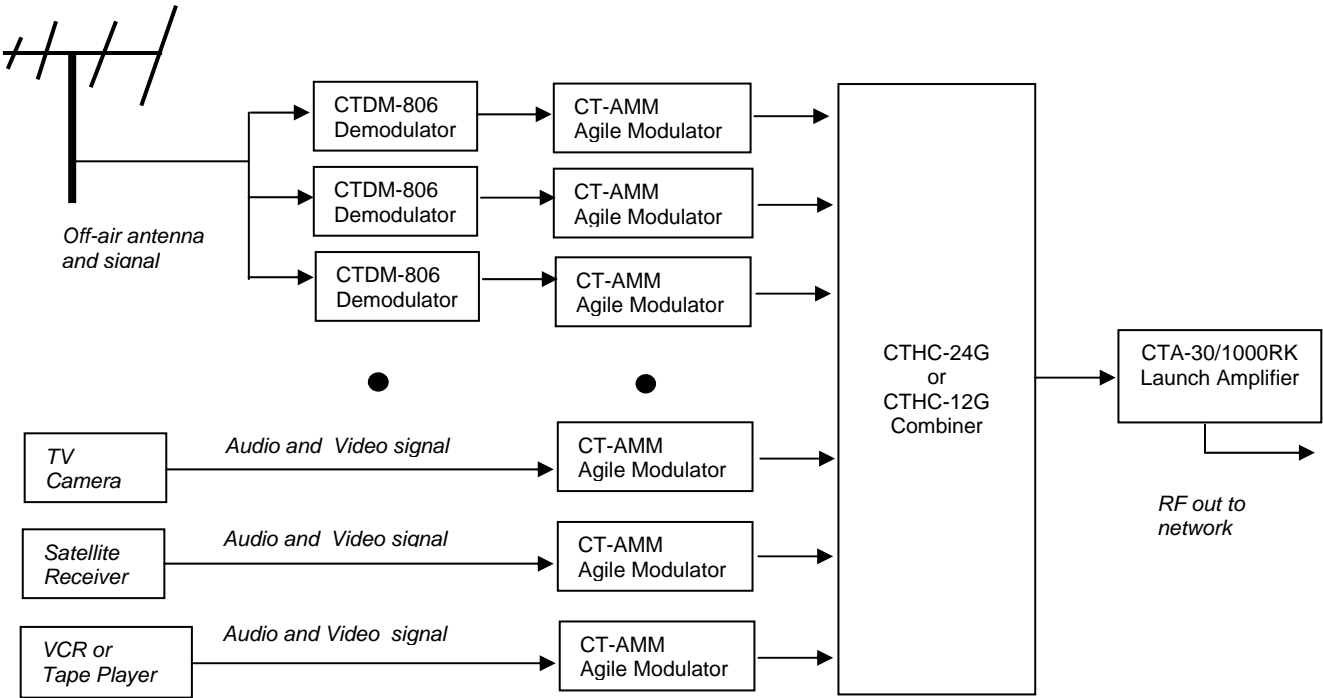
CTHC-12G

Passive Headend Combiner

Specifications

RF	
Input Number	12
Frequency Range	40-1000 MHz.
Connector	"F" type, female
Impedance	75 Ohms
Insertion Loss	19 dB typical @ 40 ~ 450 MHz 21 dB typical @ 450 ~ 1000 MHz
Input Return Loss	16 dB typical @ 40 ~ 450 MHz 16 dB typical @ 450 ~ 1000 MHz
Output Return Loss	16 dB typical @ 40 ~ 450 MHz 16 dB typical @ 450 ~ 1000 MHz
Port to Port Isolation	
Adjacent Ports	30 dB typical
Opposing Ports	40 dB typical
Test Port	-20 dB
General	
Mounting	19" rack
Dimensions	19" W x 1.75" H x 3" D
Operating Temperature Range	32°F to 122°F
Weight	2 lb. 4 oz.

Sample Configuration



The CTHC-12G passive headend combiner is regulatory compliant. All product specifications are accurate at time of printing, but are subject to change.

Products are warranted for one year. Warranty can be extended to three years. Contact a sales engineer for details.