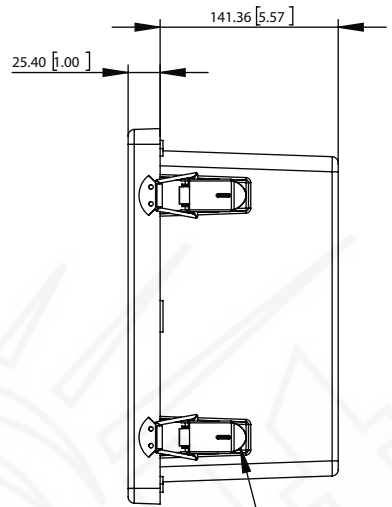
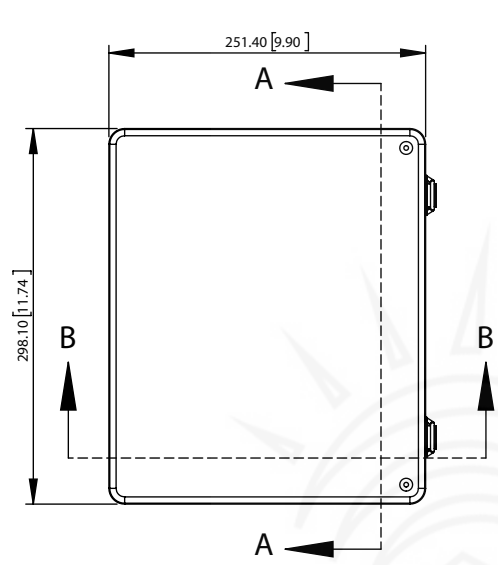
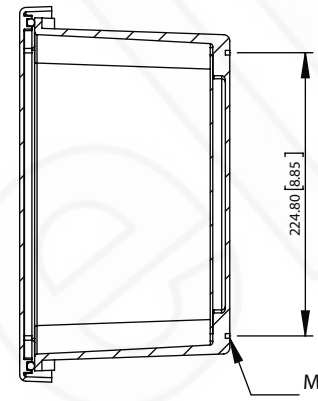


REV	DATE	DESCRIPTION
A	02/25/22	INITIAL RELEASE

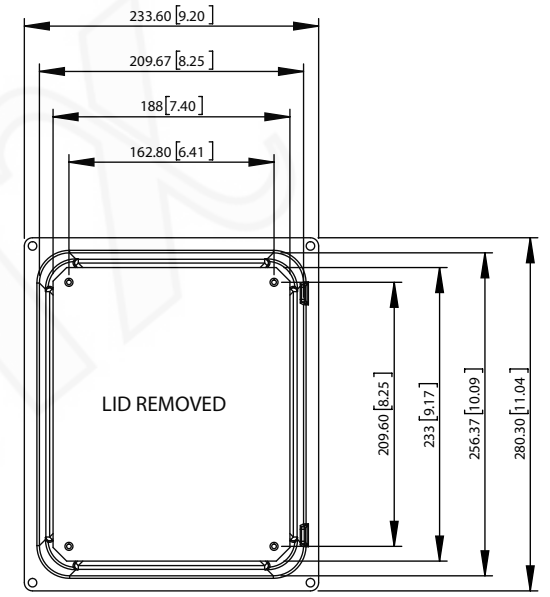
THE INFORMATION CONTAINED IN THIS DRAWING IS THE SOLE PROPERTY OF ALTELIX LLC. ANY REPRODUCTION IN PART OR WHOLE WITHOUT THE WRITTEN PERMISSION OF ALTELIX LLC IS PROHIBITED. ALL SPECIFICATIONS SUBJECT TO CHANGE WITHOUT NOTICE. (C) 2017 ALTELIX LLC.



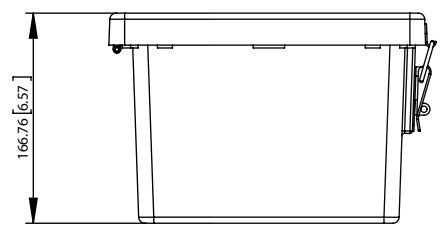
SECTION A-A



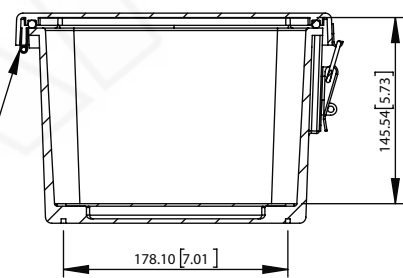
M5-0.8
THREADED INSERT



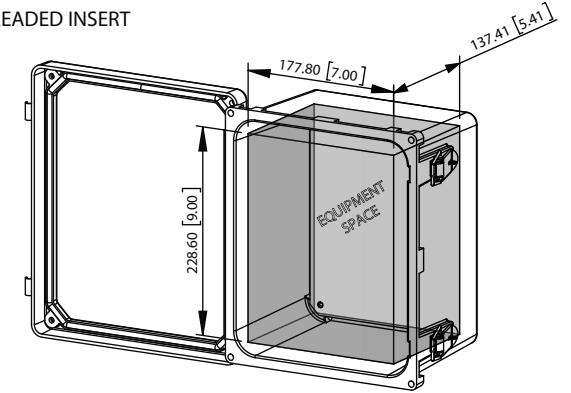
LID REMOVED



SECTION B-B



STAINLESS STEEL
PIANO HINGE



- NOTE:
- NEMA RATED TYPE 4, 4X/IP66
 - FLAME RATED UL94-5V

1201 Clint Moore Road
Boca Raton, FL 33487
TEL: 561-660-WIFI
www.altelix.com

NO.	DESCRIPTION	MATERIAL	FINISH	QTY.
8	-	-	-	-
7	-	-	-	-
6	-	-	-	-
5	-	-	-	-
4	-	-	-	-
3	-	-	-	-
2	MOUNTING PLATE	POLYESTER	-	1
1	NEMA ENCLOSURE	FIBERGLASS REINFORCED POLYESTER	-	1

UNLESS OTHERWISE SPECIFIED:
DIMENSIONS ARE IN MILLIMETERS.
DIMENSIONS IN [] ARE IN INCHES AND
ARE FOR CUSTOMER REFERENCE ONLY.

TOLERANCES FOR MILLIMETERS:
0.5-8mm ± 0.20mm
8-30mm ± 0.40mm
30-120mm ± 0.50mm

TASK	NAME	DATE
DRAWN BY	K. BURGNER	02/25/22
CHECKED	-	-
APPROVED	-	-

PART DESCRIPTION	
10 X 8 X 6 NEMA ENCLOSURE WITH NON-METALLIC MOUNTING PANEL	
PART NUMBER	NF100806M
DRAWING NUMBER	DRW-NF100806M
SCALE:	1:6
REV:	A
SHEET 1 OF 1	