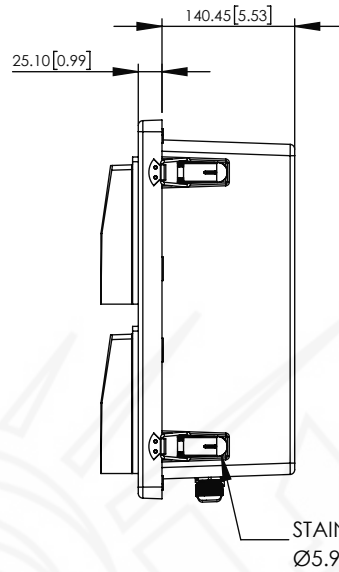
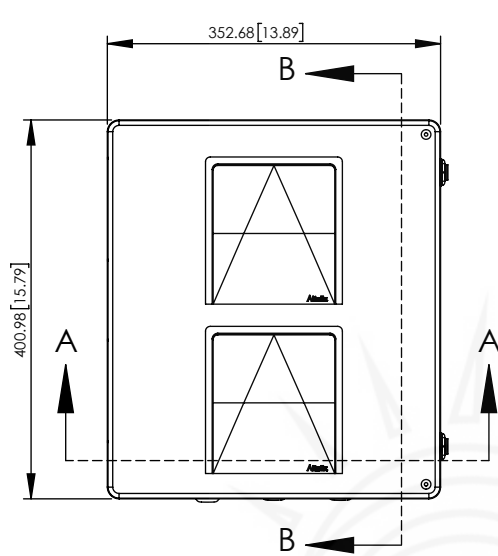
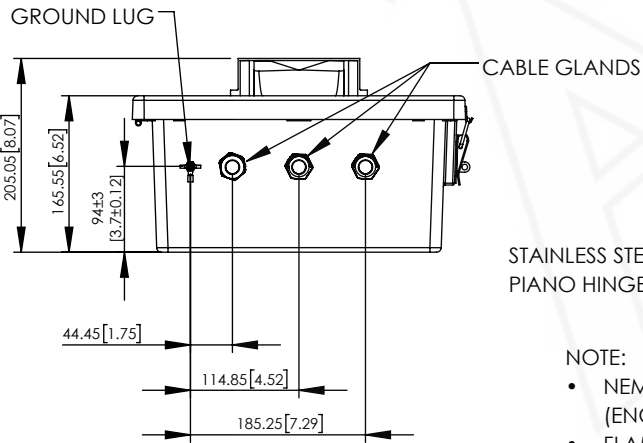
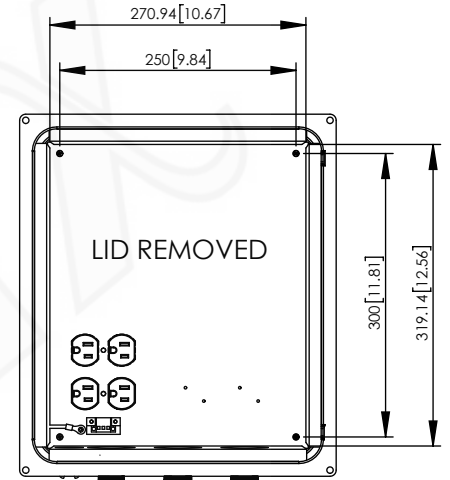
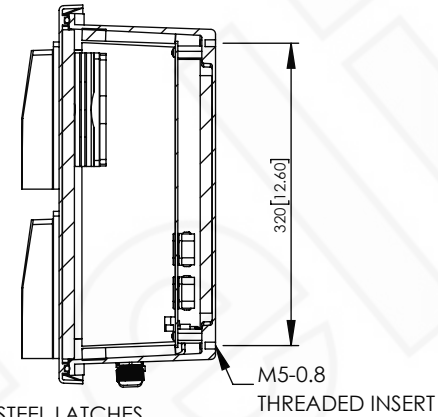


REV	DATE	DESCRIPTION
A	08/11/21	INITIAL RELEASE
B	03/28/22	UPDATED MOUNTING PLATE

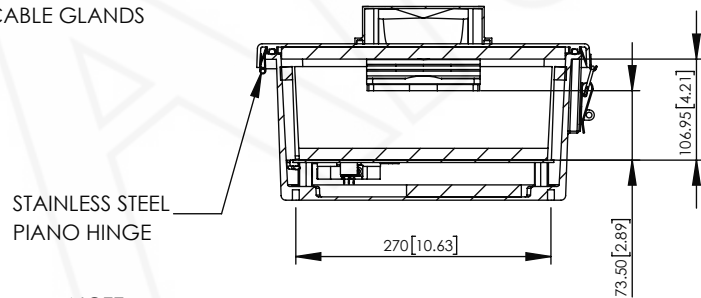
THE INFORMATION CONTAINED IN THIS DRAWING IS THE SOLE PROPERTY OF ALTELIX LLC. ANY REPRODUCTION IN PART OR WHOLE WITHOUT THE WRITTEN PERMISSION OF ALTELIX LLC IS PROHIBITED. ALL SPECIFICATIONS SUBJECT TO CHANGE WITHOUT NOTICE. (C) 2019 ALTELIX LLC.



SECTION B-B

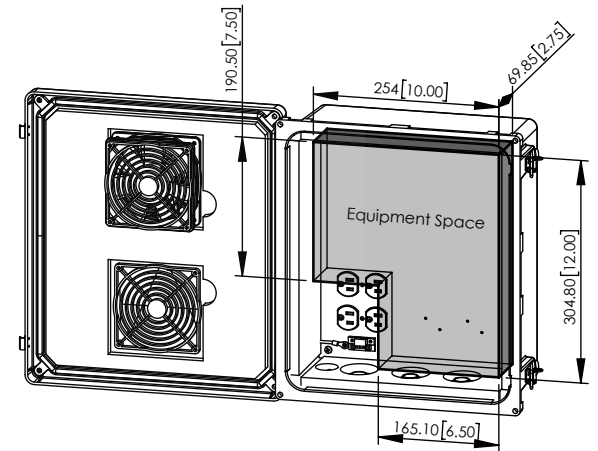


SECTION A-A



NOTE:

- NEMA RATED TYPE 3R, 3RX/IP24 (ENCLOSURE PORTS MUST BE PROPERLY SEALED TO MAINTAIN NEMA RATING)
- FLAME RATED UL94-5V



NO.	DESCRIPTION	MATERIAL	FINISH	QTY.
8	-	-	-	-
7	-	-	-	-
6	-	-	-	-
5	-	-	-	-
4	-	-	-	-
3	-	-	-	-
2	-	-	-	-
1	NEMA ENCLOSURE	FIBERGLASS REINFORCED POLYESTER	-	1

UNLESS OTHERWISE SPECIFIED:
DIMENSIONS ARE IN MILLIMETERS.
DIMENSIONS IN [] ARE IN INCHES AND ARE FOR CUSTOMER REFERENCE ONLY.

TOLERANCES FOR MILLIMETERS:
0.5-8mm ± 0.20mm
8-30mm ± 0.40mm
30-120mm ± 0.50mm

TASK	NAME	DATE
DRAWN BY	N. COLUCCI	08/11/21
CHECKED	-	-
APPROVED	-	-



1201 Clint Moore Road
Boca Raton, FL 33487
TEL: 561-660-WIFI

PART DESCRIPTION	
14 X 12 X 6 INCH INSULATED VENTED NEMA ENCLOSURE WITH 120VAC FAN	
PART NUMBER	NF141206VFA1-Z
DRAWING NUMBER	DRW-NF141206VFA1-Z
SCALE: 1:8	REV: B
SHEET 1 OF 1	