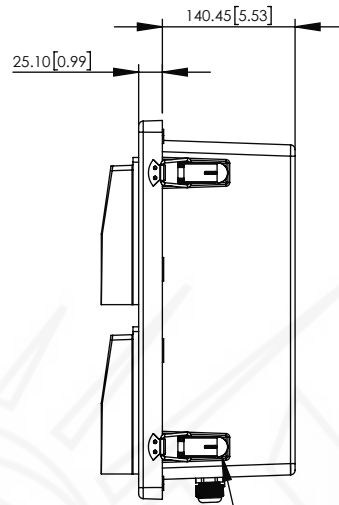
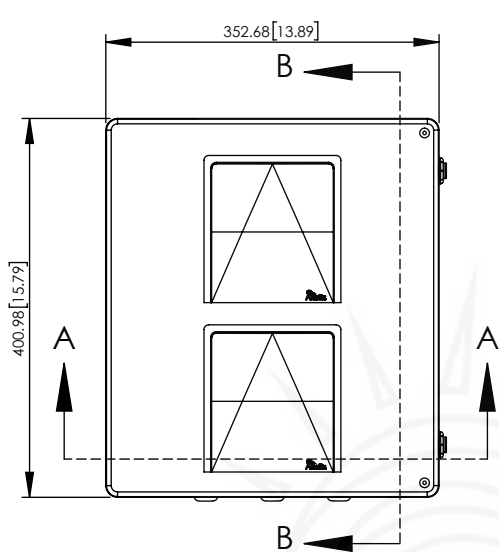
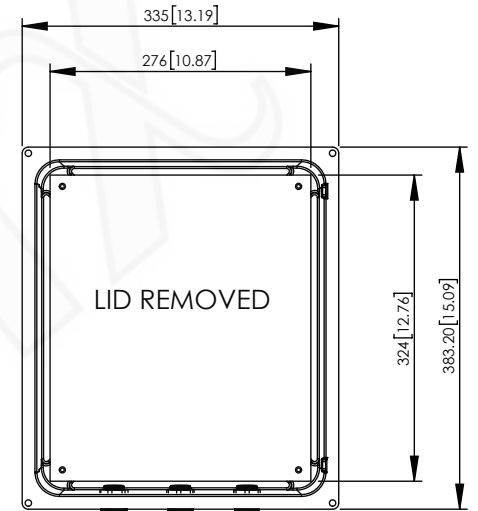
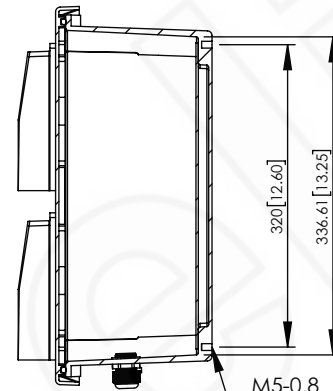


REV	DATE	DESCRIPTION
A	06/16/21	INITIAL RELEASE

THE INFORMATION CONTAINED IN THIS DRAWING IS THE SOLE PROPERTY OF ALTELIX LLC. ANY REPRODUCTION IN PART OR WHOLE WITHOUT THE WRITTEN PERMISSION OF ALTELIX LLC IS PROHIBITED. ALL SPECIFICATIONS SUBJECT TO CHANGE WITHOUT NOTICE. (C) 2017 ALTELIX LLC.

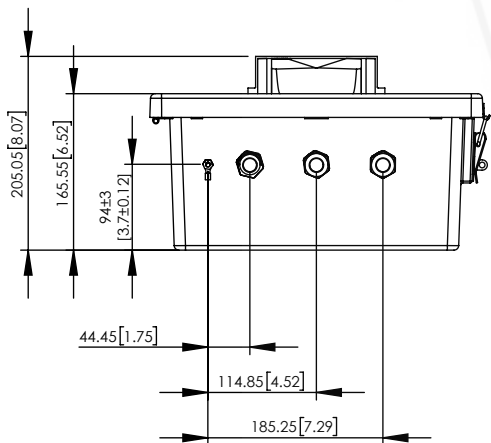


SECTION B-B

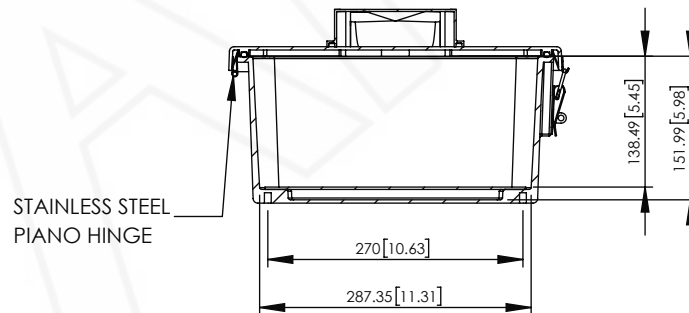


STAINLESS STEEL LATCHES
Ø5.96 [0.23] PADLOCK EYE

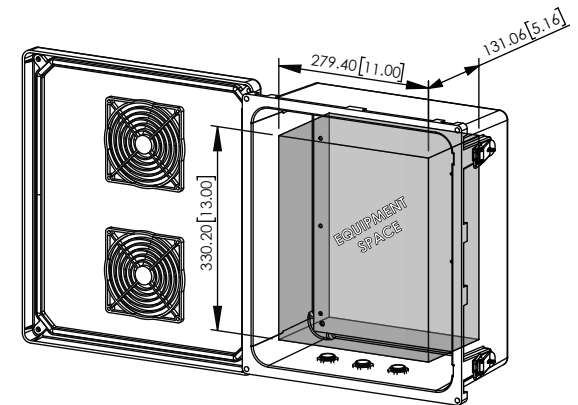
M5-0.8
THREADED INSERT



SECTION A-A



STAINLESS STEEL
PIANO HINGE



NOTE:

- NEMA RATED TYPE 3R, 3RX / IP24
- FLAME RATED UL94-5V

UNLESS OTHERWISE SPECIFIED:
DIMENSIONS ARE IN MILLIMETERS.
DIMENSIONS IN [] ARE IN INCHES AND
ARE FOR CUSTOMER REFERENCE ONLY.

TOLERANCES FOR MILLIMETERS:
0.5-8mm ± 0.20mm
8-30mm ± 0.40mm
30-120mm ± 0.50mm

NO.	DESCRIPTION	MATERIAL	FINISH	QTY.
8	-	-	-	-
7	-	-	-	-
6	-	-	-	-
5	-	-	-	-
4	-	-	-	-
3	-	-	-	-
2	-	-	-	-
1	NEMA ENCLOSURE	FIBERGLASS REINFORCED POLYESTER	-	1

Altelix
www.altelix.com

1201 Clint Moore Road
Boca Raton, FL 33487
TEL: 561-660-WIFI

PART DESCRIPTION		
14 X 12 X 6 VENTED NEMA ENCLOSURE WITH NON-METALLIC MOUNTING PLATE		
DRAWN BY	K. BURGNER	06/16/21
CHECKED	-	-
APPROVED	-	-
PART NUMBER	NF141206VM	
DRAWING NUMBER	DRW-NF141206VM	
SCALE:	1:8	REV: A
		SHEET 1 OF 1