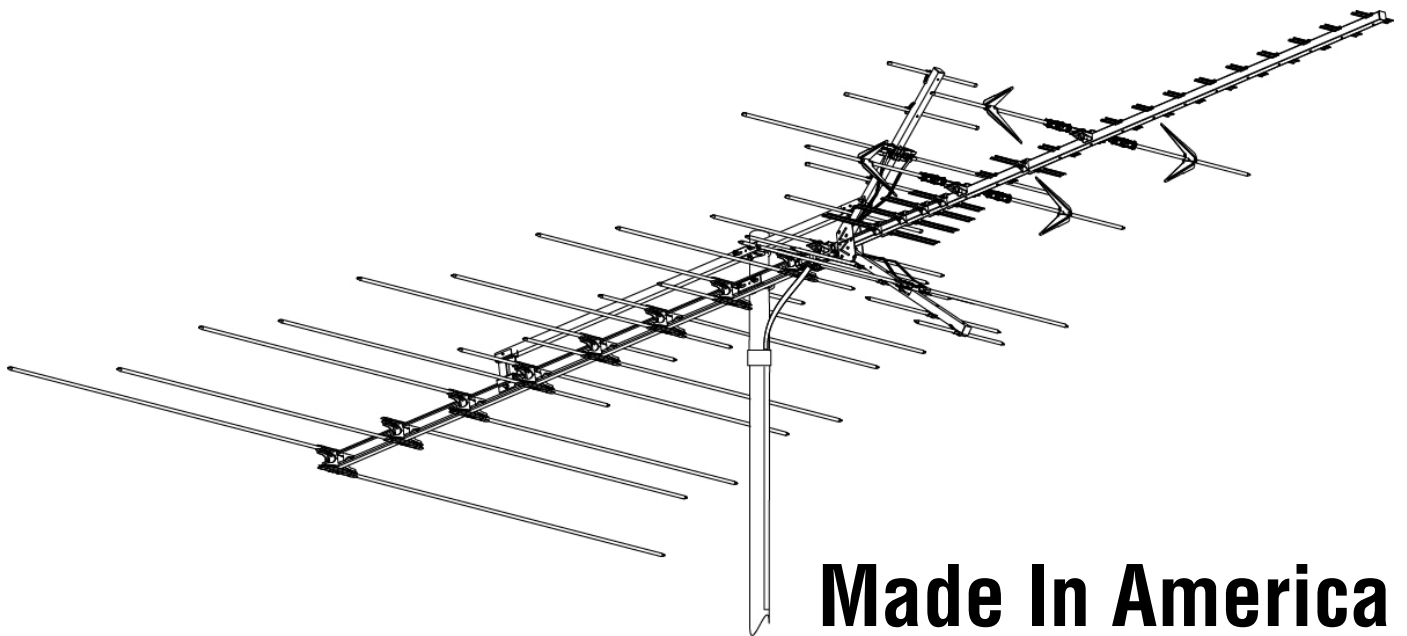


HD8200XL

Xtreme Series HD Antenna

Assembly And Installation Manual



Made In America

SOLID SIGNAL

www.XtremeSignal.com

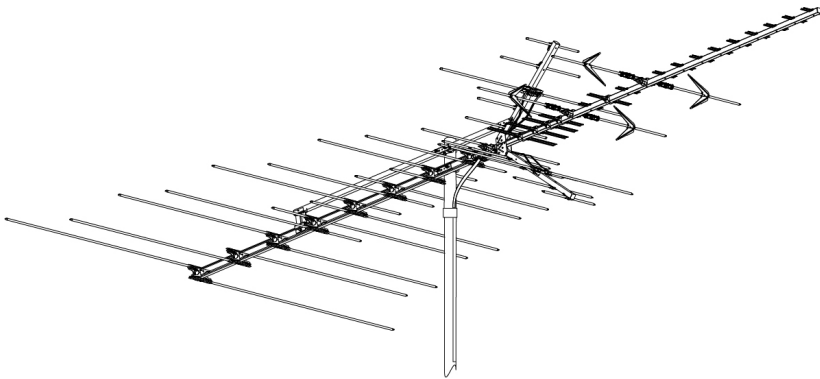
HD8200XL

Xtreme Series HD Antenna

Assembly And Installation Manual

SOLID SIGNAL

www.XtremeSignal.com



Made In America

Step 1: Unpack

Remove all three sections of the antenna and the hardware bag from package. Make sure the following parts are in the package:

Antenna Components

- (3) Antenna Sections (rear, large middle, and front booms)
- (1) Boom Brace
- (1) Hardware Bag
- (2) Reflector Booms

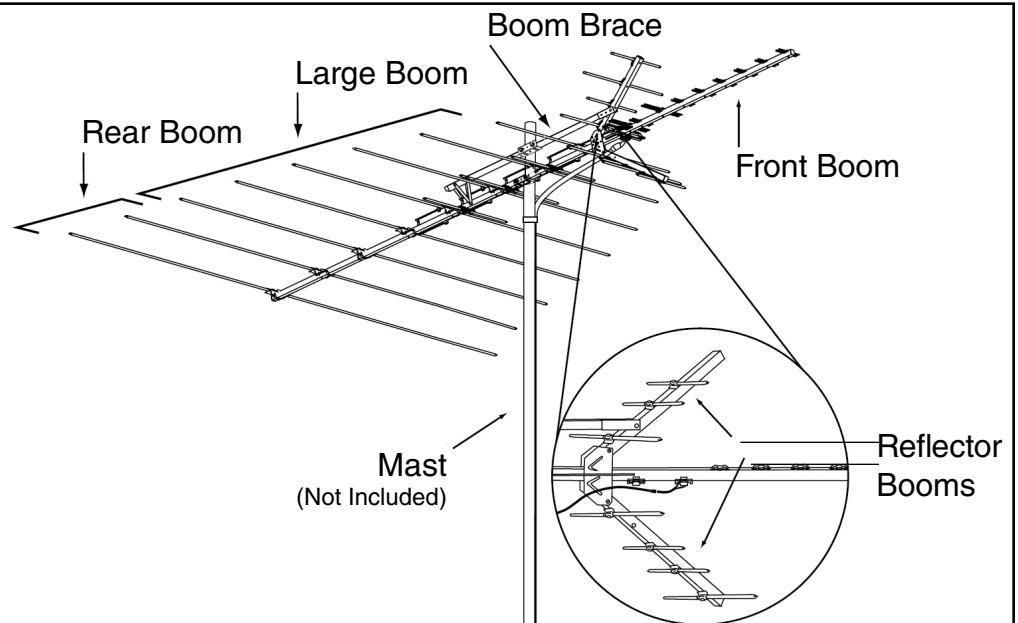
Hardware Bag Contents

- (2) U-Bolts
- (2) Mast Clamp Inserts
- (10) #10 Flange Nuts

Fig. 1: Fully assembled

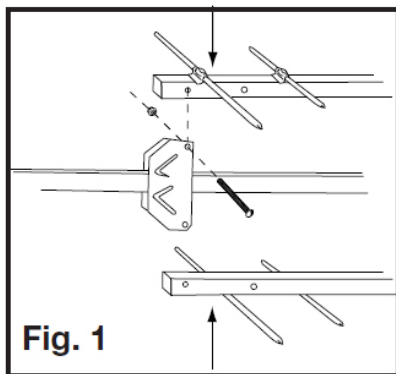
HD8200XL

(Does Not Include Mast)

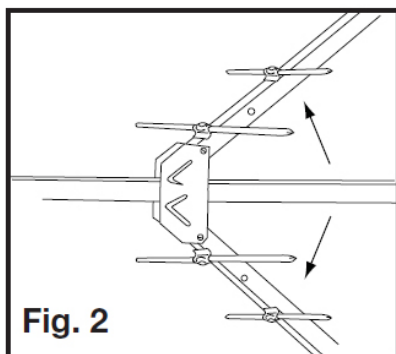


FOR MORE INFO AND INSTALLATION VIDEOS VISIT WWW.XTREMESIGNAL.COM

Step 2: Connect the reflector booms to the front (small) booms

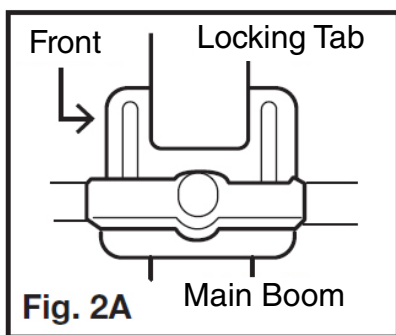


Find the two reflector booms and the front (or small) boom. The two smaller elements on the reflector booms face away from the small main boom.



IMPORTANT:

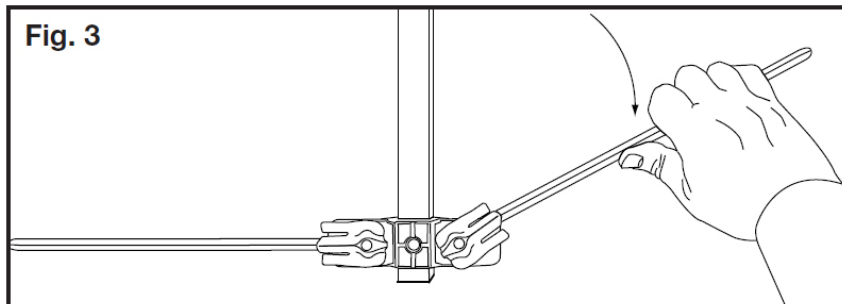
Unfold the elements on each end of the reflector boom so that the front of their locking tabs face towards each other. The remaining locking tabs can be unfolded in either direction. Make sure that all of the elements are perpendicular to the reflector boom.



Connect the two reflector booms to the front boom using two of the provided #10 nuts and screws. The reflector booms should be parallel to the smaller boom at this point. (See Fig. 1.)

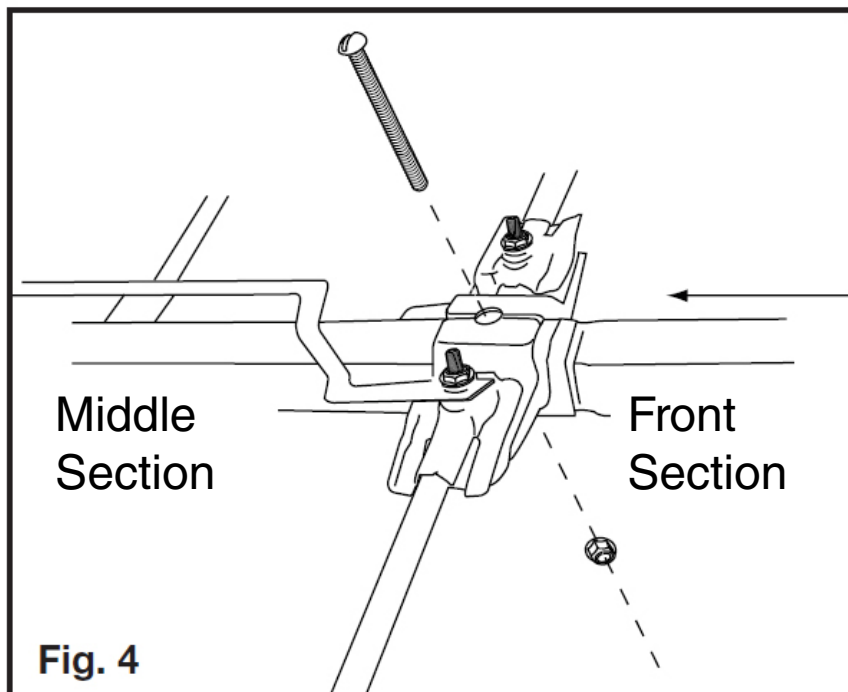
Step 3: Unfold the rest of the antenna

Unfold all the other elements on the antenna until they lock into place ensuring that they are flat and parallel to each other. (See Fig. 3.)



Step 4: Connect the middle (large) section to the front (small) section

Find the middle (large) section. Locate the end of the middle section that matches figure 4.



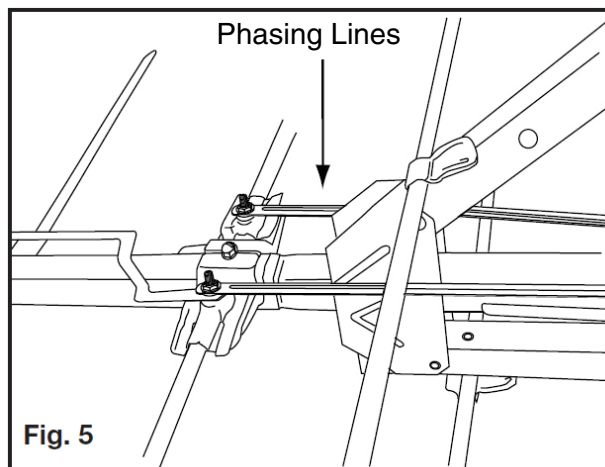
Remove the nut and screw in the center. Slide the narrow boom of the front (small) section into the middle (large) section. Make sure the phasing lines are on the top side of the small boom and the black plastic element holders are also on this same side.

This is the top of the antenna. (See figure 5.)

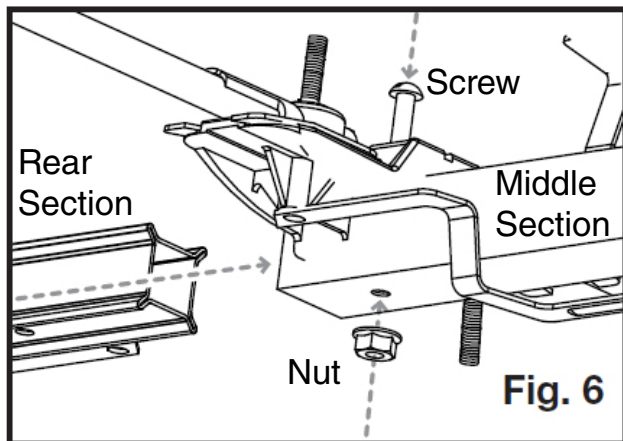
Tap lightly with a rubber mallet on the end of the small boom aligning the holes for the screw. (See figure 4.) Re-install the screw and nut; be sure to tighten securely.

Step 5: Connect the phasing lines

Place the phasing lines from the front section over the studs. Secure them to the studs with #10 flange nuts and washers. Tighten securely.



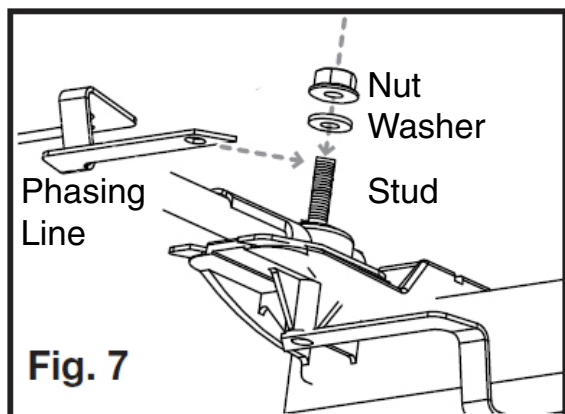
Step 6: Connect the rear section to the middle (large) section



On the open end of the middle (large) section, remove the rear nut and screw. Find the rear section. Slide the narrow boom of the rear antenna into the middle (large) section. Tap lightly with a rubber mallet on the end of the small boom, aligning the holes for the screw. (See figure 6.)

Re-install the screw and nut; be sure to tighten securely.

Step 7: Connect the phasing lines

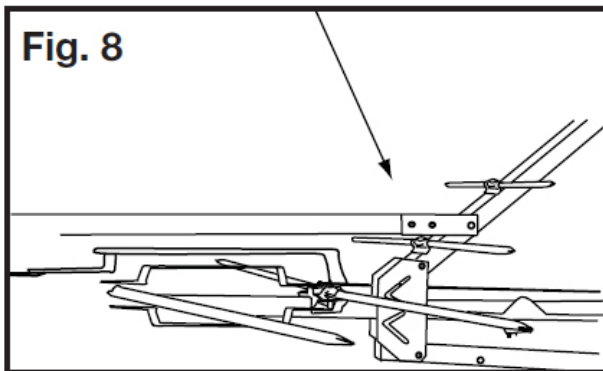


On the middle (large) section, near where the middle and rear sections come together, find the posts on the top and bottom of the last element holder studs. (See figure 7.)

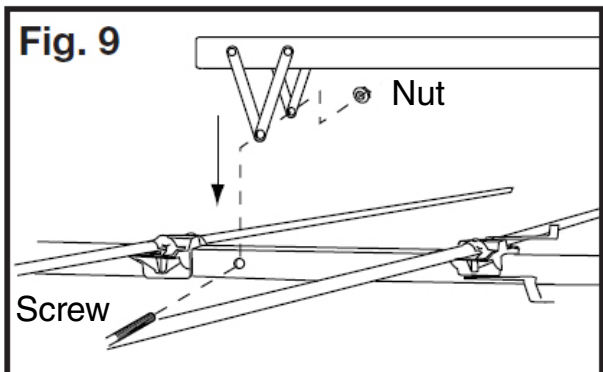
Place the phasing lines from the rear section over the studs, one on the top side and one on the bottom. Then fasten them to the posts with washers and #10 flange nuts. Tighten securely.

Step 8: Connect the boom brace

Lay the boom brace on top of the antenna. Make sure the mast clamps (the brass-colored sections) on the boom brace and antenna are facing the same direction.



Locate the screw hole in the reflector boom and attach the brace with one of the provided #10 screws and nuts. (See figure 8.)



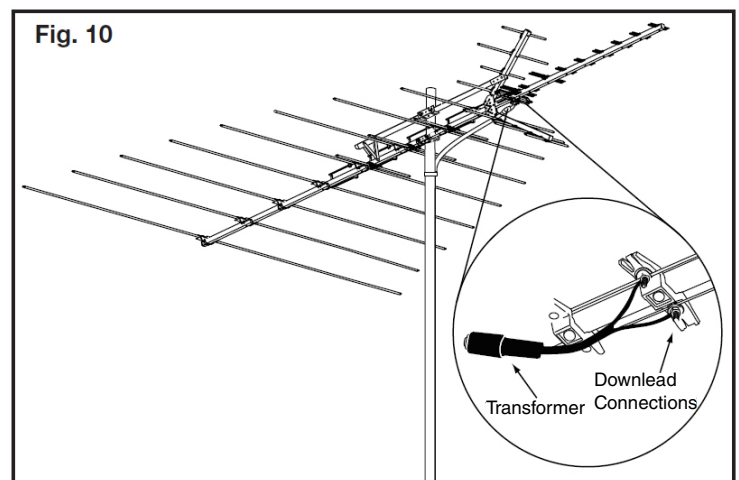
Swing the boom brace down towards the rear. Form a "V" with the metal straps. Use one of the provided #10 screws and nuts to attach the "V" to each side of boom. (See figure 9.)

Step 9: Install the transformer

Find the downlead connection on the bottom of the front section of the antenna, just beyond the reflector booms.

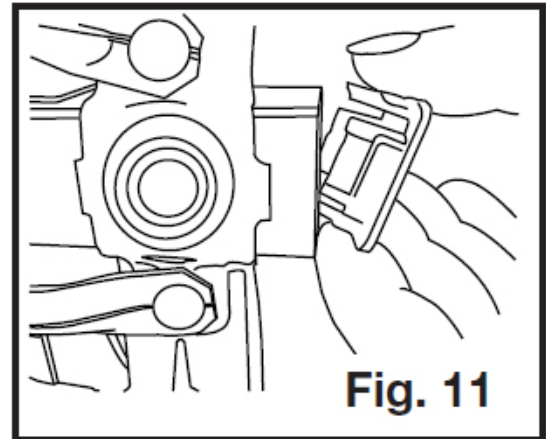
Place two washers on each of the studs. Place a #10 nut on top of each stud, but don't tighten them yet.

Place the transformer ends between the two washers and tighten the nuts securely. (See figure 10.) Attach the coax downlead to the transformer.

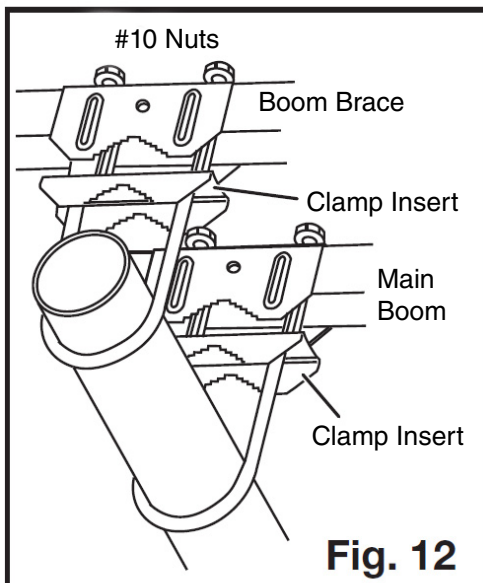


Step 10: Insert the end caps

Insert two of the plastic end caps in the ends of the antenna as shown in figure 11. Insert a third plastic end cap in the exposed end of the boom brace. Insert the last two end caps on the ends of the reflector booms. Use a rubber mallet to gently tap them into the ends so that they are secure.



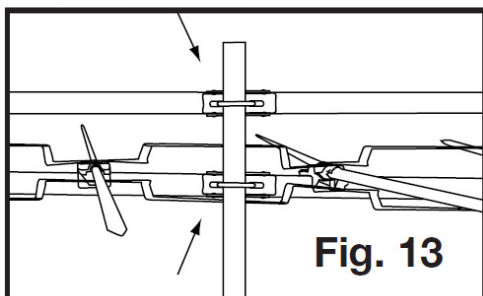
Step 11: Mount the antenna to a mast



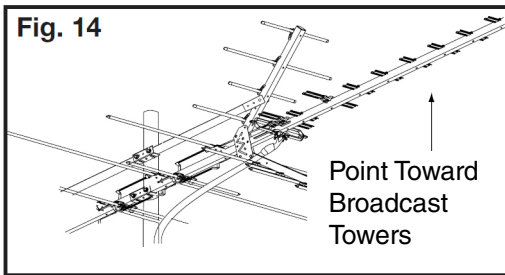
Find the two U-bolts, four 1/4" flange nuts, and the two mast clamp inserts.

Place the mast clamp inserts on the inside of the mast clamps on the antennas as shown in figure 12. Then insert the U-bolts into the mast clamps and mast clamp inserts. Attach the nuts loosely.

Slide the antenna over the mast and lightly tighten the two mast clamps. (See figures 12 and 13.) The top side of the antenna is the side with the black plastic pieces on it.



Step 12: Connect the coax downlead to your TV or pr-amplifier



Connect the coax downlead to your TV. Rotate the antenna until you receive the best picture. You will probably need a helper to view the TV set while you are rotating the antenna.

Step 13: Pointing the antenna

You want to point the small end of the antenna towards your local broadcast towers. If you need assistance locating the broadcast towers you can use www.antennaweb.org, www.tvfool.com or call one of our technicians and they can help ensure you have the antenna set up properly.

Step 14: Secure mast clamps and downlead, ground the antenna

Tighten the two mast clamps securely. Secure the coaxial downlead to the mast (using cable ties or electrical tape) to prevent it from whipping in the wind. It is always recommended that you ground your antenna when installing it outdoors. Visit www.solidsignal.com for antenna grounding supplies

Step 15: Enjoy Free HD TV

Now that you have successfully installed the HD8200XL antenna you can start enjoying your free local HD broadcasts.

Note: Elements that are bent, can easily be corrected, and do not affect signal, as it is the length that determines how the antenna receives signal.

(For assistance or troubleshooting call: 1-877-312-4547)

180 Day Limited Warranty

This Xtreme Signal product is hereby warranted against defects arising from faults in materials or workmanship for a period of 180 (one hundred and eighty) days starting from the original date of purchase. Neither Solid Signal, Xtreme Signal, nor Signal Group LLC will honor a warranty claim unless accompanied by original proof of purchase. All warranty claims must be made to a Solid Signal authorized dealer or directly to Solid Signal. In the case that the dealer involved in the purchase of your antenna is unavailable or unknown, contact Solid Signal at 22285 Roethel Drive, Novi MI 48375, either by phone at 877-312-4547 or via info@solidsignal.com.

This product warranty covers only the parts originally included in the package and includes neither the cost of shipping, removal or installation, nor any parts purchased ancillary to this sale for the purpose of installation. If this product is damaged or fails in any way due to having been improperly installed, abused or neglected or due to any accidental or intentional tampering with the product as manufactured, this warranty shall be void. If this product is damaged due to acts of nature or corrosion caused by environmental factors (such as salt spray or acid rain) this warranty shall be void.

Should this product require warranty replacement, the customer shall be responsible for all shipping and handling charges required to return the product to a Solid Signal dealer. At its option, Solid Signal or a Solid Signal authorized dealer shall repair or replace this product and return it to the customer with no additional freight charges due.

This warranty policy is the sole warranty for this product. Neither Solid Signal nor its authorized dealers shall be responsible for enforcement of any other warranty either express or implied made by any other entity. Express, Implied, or Statutory Warranties including warranties of fitness to a particular purpose or merchantability are limited to this single 180-day warranty. This warranty is the sole and exclusive remedy for any customer, whether in contract, tort, or otherwise. Neither Solid Signal nor its authorized dealers shall be liable for any damage or loss, whether incidental or consequential, except as set forth above. Commercial loss shall not be covered except as set forth above.

This warranty is enforceable to the extent that it is not superseded by local or state law. Consult with local authorities for any specific legal rights which may apply to your jurisdiction.