

# Altelix Audio/Video Enclosures

## Models NP17AV & NP17VFA1C-SNS1



## Installation Guide

## Mounting the Enclosure

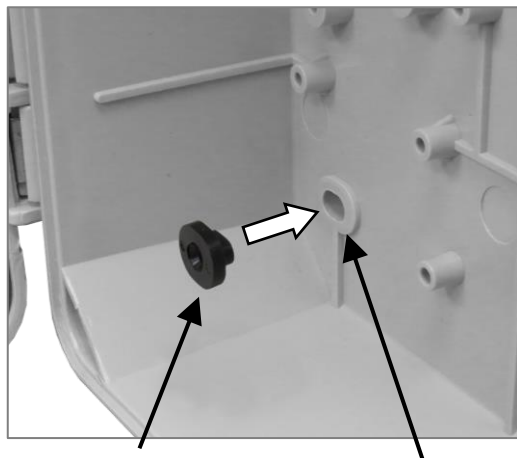
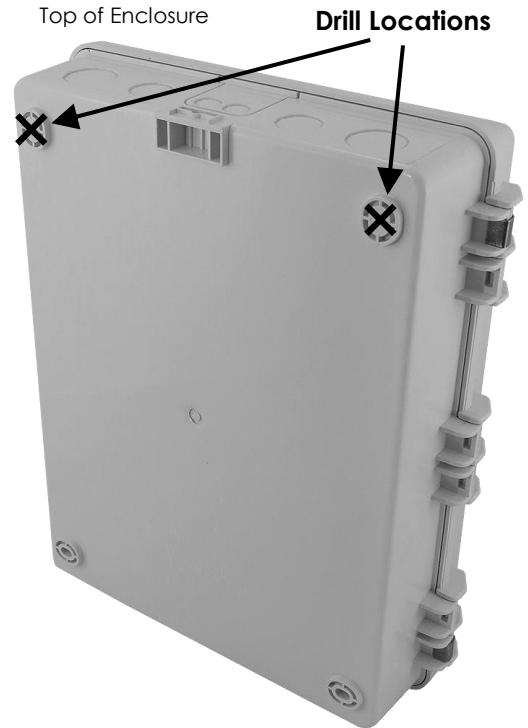
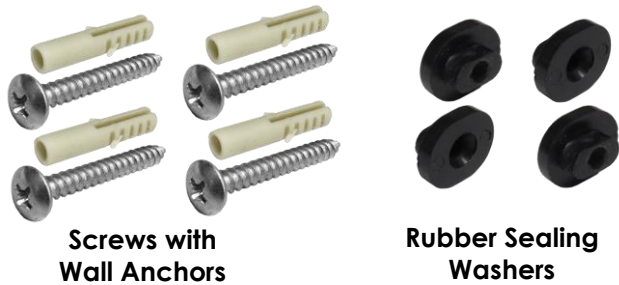
This enclosure can be either wall mounted using the supplied hardware or pole mounted using the optional **NMK Series** pole mounting kits available from [www.ALTELIX.com](http://www.ALTELIX.com).

**Step 1.** Remove the equipment mounting plate inside the enclosure.

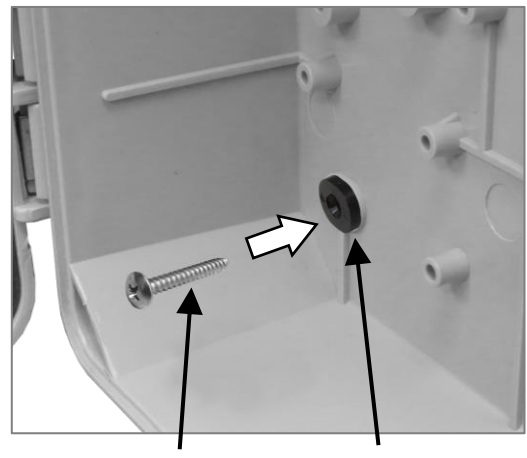
**Step 2.** Using a 1/4" drill bit, drill two holes into the Rear of the enclosure at the locations shown.

**Step 3.** Using the included drilling template, place in the desired mounting location and drill wall as required.

Included with the enclosure are (4) Sealing Washers and (4) Screws with Wall Anchors.



**Step 4.** Place (4) Rubber Sealing Washers into (4) mounting holes as shown.

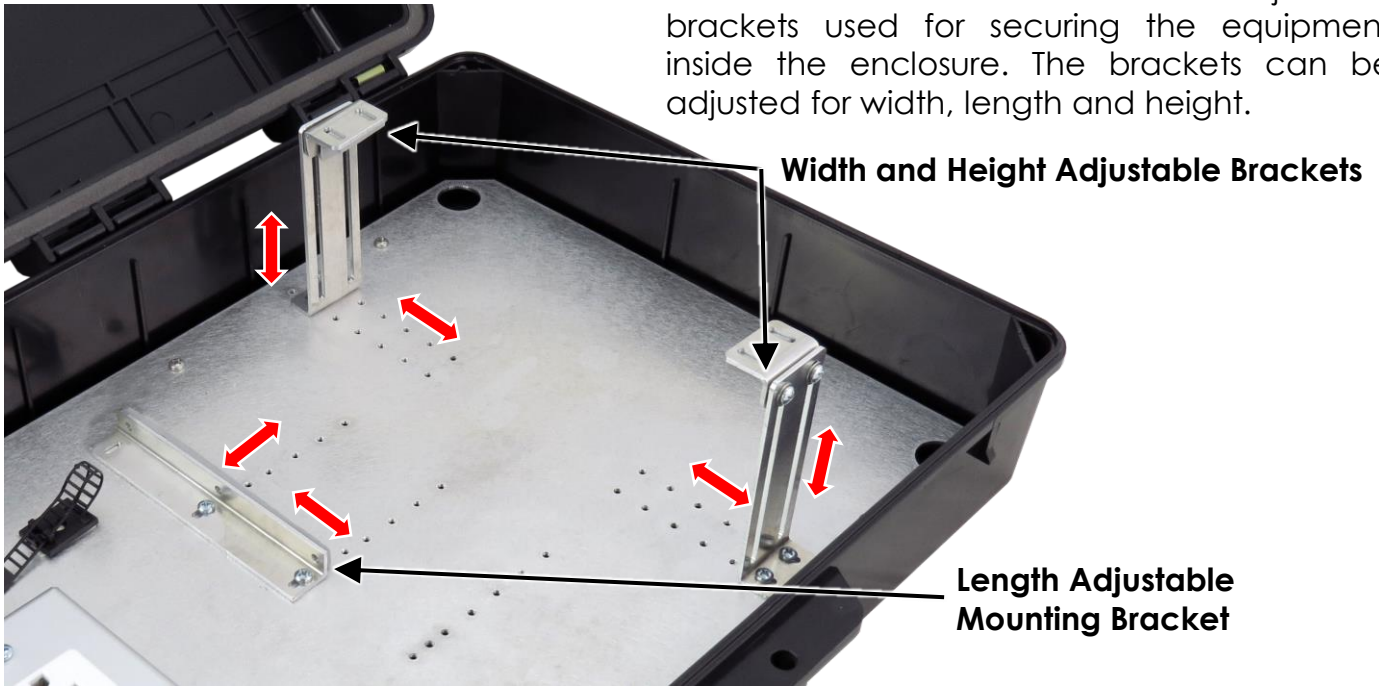


**Step 5.** Secure the enclosure to the wall using the (4) Screws.

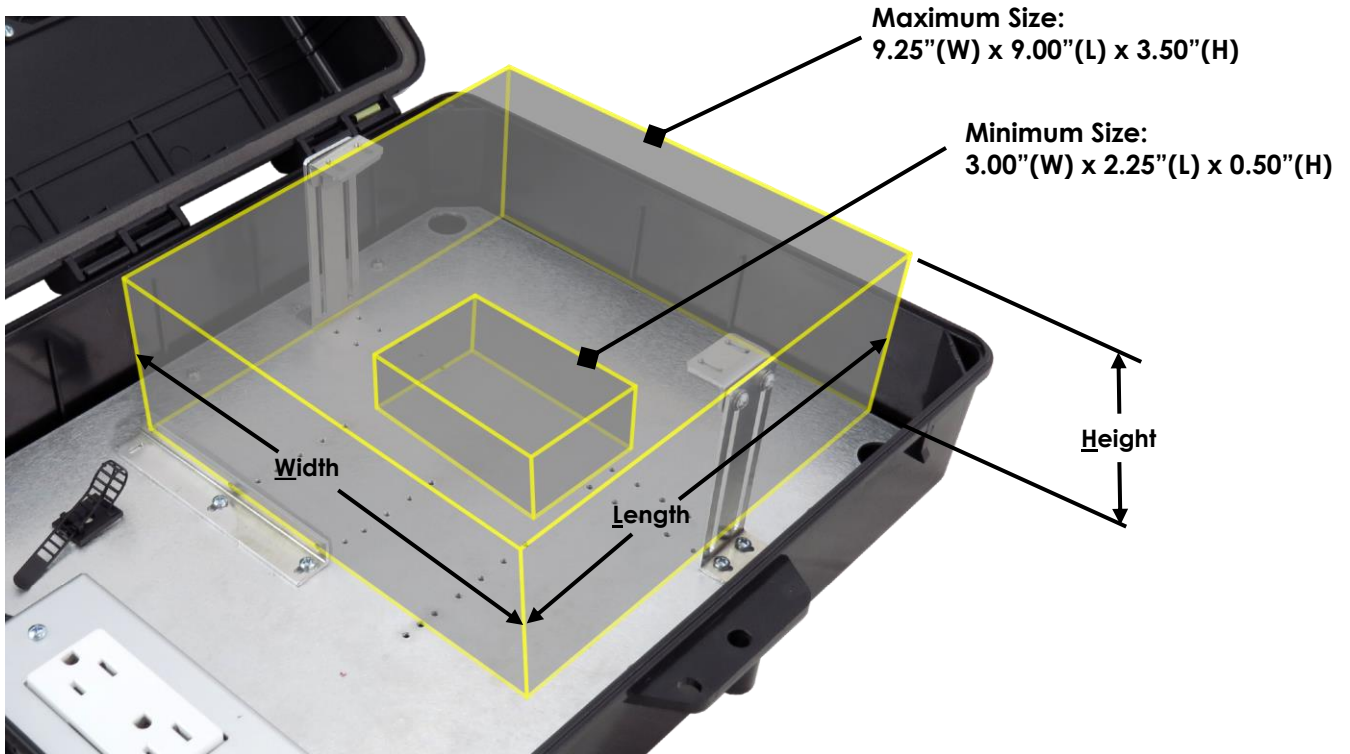
**Step 6.** Reinstall the equipment mounting plate inside the enclosure.

# Installing a Device

This enclosure features three adjustable brackets used for securing the equipment inside the enclosure. The brackets can be adjusted for width, length and height.



The following illustration shows the minimum and maximum size devices that can be installed inside the enclosure.

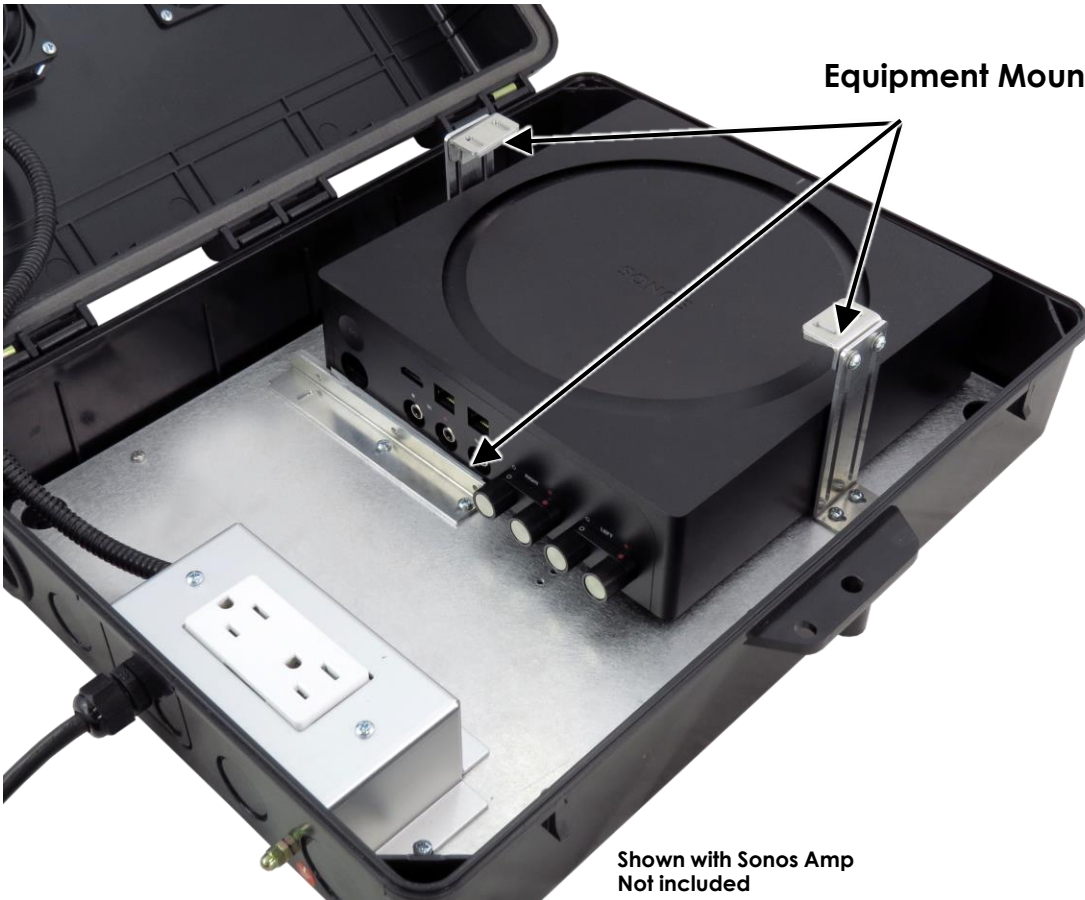




The equipment mounting bracket kit included with the enclosure contains (3) brackets for securing the device into the enclosure. The (7) screws included in the kit are used to attached the brackets to the back plate.

**Mounting Bracket Kit**

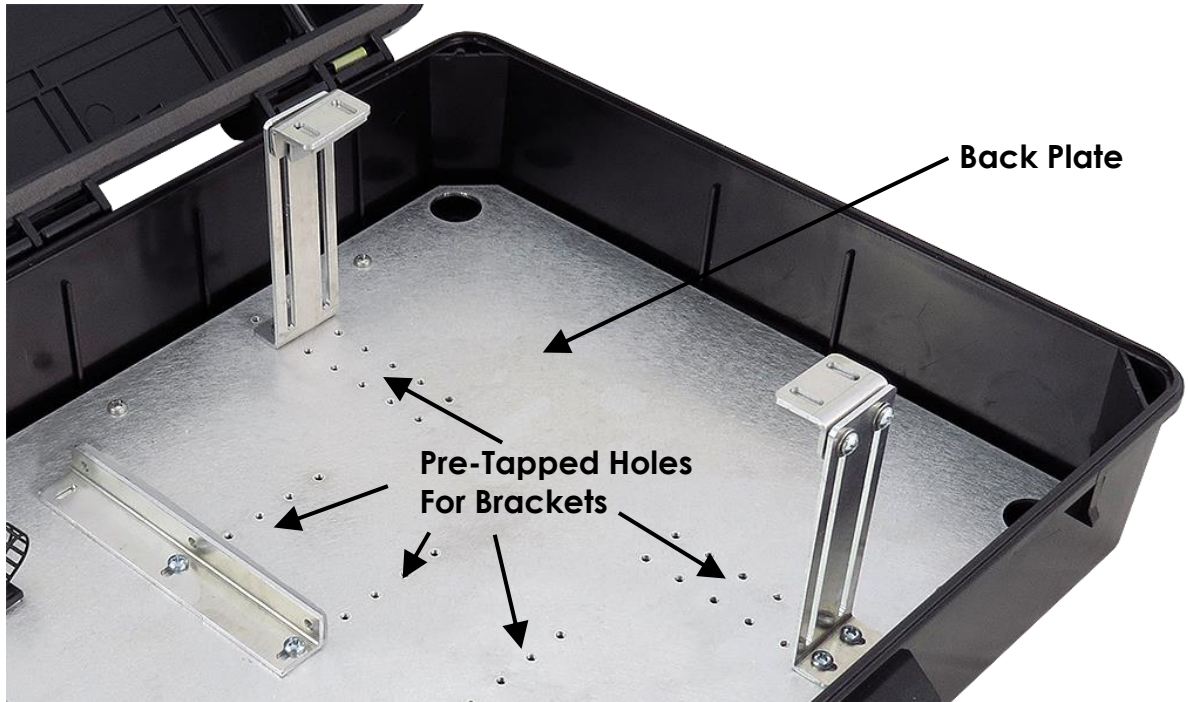
1. To determine the location of the (3) equipment mounting brackets, position the device to be installed into the enclosure as shown. Be sure to orientate it so that any connections or ports are easily accessible.



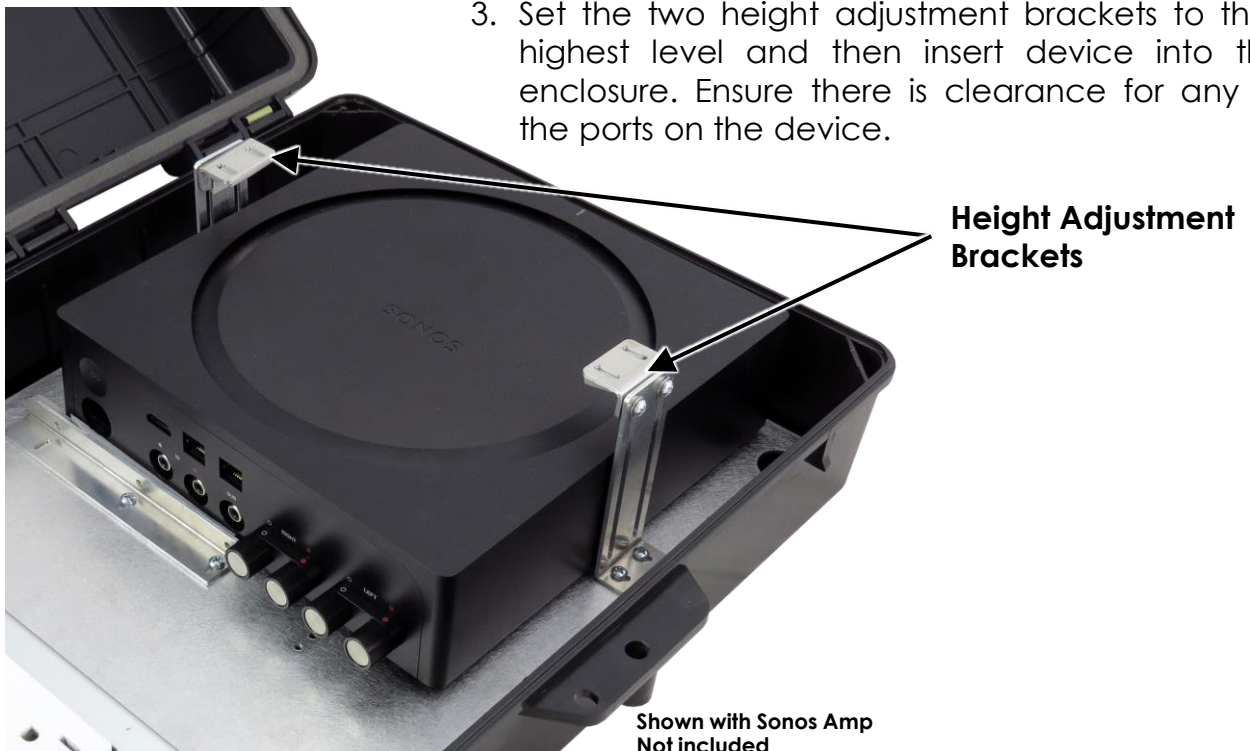
**Equipment Mounting Brackets**

Shown with Sonos Amp  
Not included

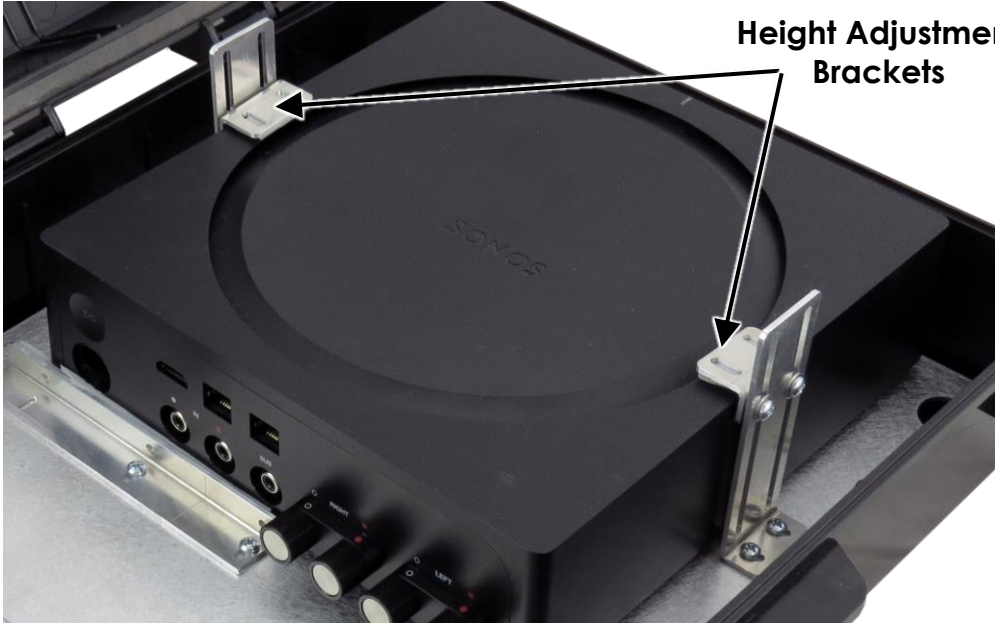
- Once the location of the (3) equipment mounting brackets are determined, secure each to the back plate using the supplied screws. Pre-tapped holes are provided in the back plate for each bracket.



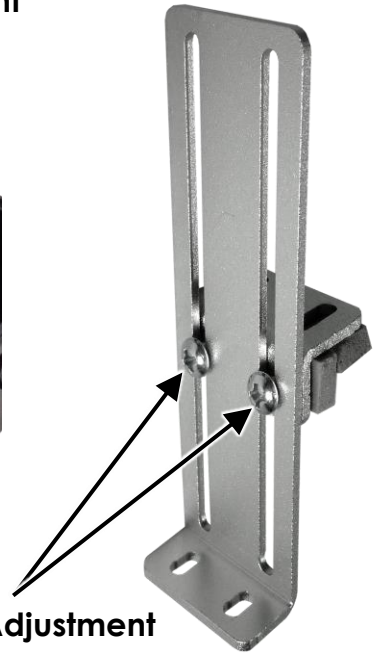
- Set the two height adjustment brackets to their highest level and then insert device into the enclosure. Ensure there is clearance for any of the ports on the device.



4. Move the two height adjustment brackets into place and secure with the (2) screws on bracket. Ensure height adjustment screws are tight before placing enclosure into vertical position for mounting.



Height Adjustment Brackets



Height Adjustment Screws

Shown with Sonos Amp  
Not included



Rubber Cable Grommet

4. Carefully punch a hole in the rubber cable grommet provided on the enclosure. Run speaker, Ethernet or any other types of cables to be connected to the device through this grommet.