

MPCD

Universal-Chassis Agile A/V Mini-Demodulator



Installation and Operation Manual

MPCD

Product Inspection

Inspect the equipment for shipping damage. Should any damage be discovered, immediately file a claim with the carrier.

Important Safety Instructions

To insure proper installation and operation, take a moment to read this guide before proceeding with the installation. If you have any questions or comments about the **MPCD** mini-demodulator, please contact your dealer or have him contact the **PICO MACOM** Service Center at these phone numbers: 800-421-6511, 818-493-4300.



The lightning flash with arrowhead symbol, within an equilateral triangle, is intended to alert the user to the presence of un-insulated "dangerous voltage" within the product's enclosure that may be of sufficient magnitude to constitute a risk of electric shock to persons.



The exclamation point within an equilateral triangle is intended to alert the user to the presence of important operating and maintenance (servicing) instructions in the literature accompanying the appliance.

WARNING:

TO REDUCE THE RISK OF FIRE OR ELECTRIC SHOCK, DO NOT EXPOSE THIS APPLIANCE TO RAIN OR MOISTURE. DO NOT OPEN THE CABINET. REFER SERVICING TO QUALIFIED PERSONNEL ONLY.

CAUTION:

TO PREVENT ELECTRIC SHOCK DO NOT USE THIS (POLARIZED) PLUG WITH AN EXTENSION CORD RECEPTACLE OR OTHER OUTLET UNLESS THE BLADES CAN BE FULLY INSERTED TO PREVENT BLADE EXPOSURE.

ATTENTION:

POUR PREVENIR LES CHOCS ELECTRIQUES, NE PAS UTILISER CETTE FICHE POLARISEE AVEC UN PROLONGATEUR, UNE PRISE DE COURANT OU UNE AUTRE SORTIE DE COURANT, SAUF SI LES LAMES PEUVENT ETRE INSEREES A FOND SANS EN LAISSER AUCUNE PARTIE A DECOUVERT.

- 1. Read Instructions:** All safety and operating instructions should be read before the appliance is operated.
- 2. Retain Instructions:** The safety and operating instructions should be retained for future reference.
- 3. Heed Warnings:** All warnings on the appliance should be adhered to.
- 4. Follow Instructions:** All operating and user instructions should be followed.
- 5. Cleaning:** Unplug this appliance from the wall outlet before cleaning. Use a damp cloth for cleaning. Do not use liquid cleaners or aerosol cleansers.
- 6. Do Not Use Attachments:** Use of attachments not recommended by the manufacturer may cause hazards.
- 7. Water and Moisture:** Do not use this product near water—for example, near a bathtub, washbowl, kitchen sink, laundry tub, in a wet basement, or near a swimming pool—and the like.

- 8. Accessories:** Do not place this product on an unstable cart, stand, tripod, bracket, or table. The product may fall, causing serious injury to a child or adult, and serious damage to the appliance.
- 9. Ventilation:** This video product should never be placed near or over a radiator or heat register. This video product should not be placed in a built-in installation such as a bookcase or rack unless proper ventilation is provided or the manufacturer's instructions have been adhered to. Any slots or opening in the cabinet are provided for ventilation. To ensure reliable operation of the video product and to protect it from overheating, these openings must not be blocked or covered. Openings should never be blocked by placing the product on a bed, sofa, rug, or other similar surface.
- 10. Grounding or Polarization:** This video product is equipped with either a three prong plug for 110 VAC use or a two prong flat blade 220 VAC type plug. Each type is to be inserted into only the type of receptacle for which they specifically designed. **Do not** cut off the round grounding pin in order to be able to fit into a two prong receptacle as this could cause injury and will void the warranty.

MPCD

11. Power Sources: This product should be operated only from the type of power source indicated on the marking label. If you are not sure of the type of power supplied to your home, consult your appliance dealer or local power company.

12. Power-cord Protection: Power-supply cords should be routed so they are not likely to be walked on or pinched by items placed upon or against them. Pay particular attention to cords and plugs, convenience receptacles, and the point where they exit from the appliance.

13. Lightning: For added protection for this product during a lightning storm, or when it is left unattended or unused for long periods of time, the unit should be disconnected from power source.

14. Power Lines: An outside antenna system should not be located in the vicinity of overhead power lines, other electric light or power circuits, where it can fall into such power lines or circuits. When installing an outside antenna system, extreme care should be taken to keep from touching such power lines or circuits as contact with them may be fatal.

15. Overloading: Do not overload wall outlets and extension cords as this can result in risk of fire or electric shock.

16. Object and Liquid Entry: Never push objects of any kind into this product through openings as they may touch dangerous voltage points or short-out parts that could result in a fire or electric shock. Never spill liquid of any kind on the product.

17. Servicing: Do not attempt to service this product yourself as opening or removing covers may expose you to dangerous voltage or other hazards. Refer all servicing to qualified service personnel.

18. Damage Requiring Service: Unplug this product from the wall outlet and refer servicing to qualified service personnel under the following conditions:

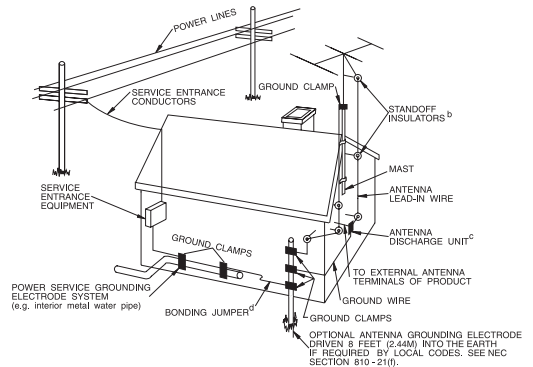
- When the power-supply cord or plug is damaged.
- If liquid has been spilled, or objects have fallen into the product.
- If the product has been exposed to rain or water.
- If the product does not operate normally by following the operating instruction. Adjust only those controls that are covered by the operating instructions. An improper adjustment may result in damage and will often require extensive work by a qualified technician to restore the product to its normal operation.
- If the product has been dropped or the cabinet has been damaged.
- When the product exhibits a distinct change in performance—this indicates a need for service.

19. Replacement Parts: When replacement parts are required, be sure the service technician has used replacement parts specified by the manufacturer or have the same characteristics as the original parts. Unauthorized substitutes may result in fire, electric shock or other hazards.

20. Safety Check: Upon completion of any service or repairs to this product, ask the service technician to perform safety checks to determine that the product is in proper operating conditions.

21. Outdoor Antenna Grounding: Before attempting to install this product, be sure the antenna or cable system is grounded so as to provide some protection against voltage surges and built-up static charges.

EXAMPLE OF ANTENNA GROUNDING ACCORDING TO NATIONAL ELECTRICAL CODE INSTRUCTIONS CONTAINED IN ARTICLE 810 - "RADIO AND TELEVISION EQUIPMENT"



- Use No.10 AWG (5.3mm) copper, No.8 AWG (8.4mm) aluminum, No.7 AWG (10mm) copper-clad steel or bronze wire or larger, as ground wire.
- Secure antenna lead-in and ground wires to house with standoff insulators spaced from 4 feet (1.22m) to 6 feet (1.83m) apart.
- Mount antenna discharge unit as close as possible to where lead-in enters house.
- A driven rod may be used as the grounding electrode where other types of electrode systems do not exist. Refer to the National Electrical Code, ANSI/NFPA 70-1984 for information.
- Use jumper wire not smaller than No.6 AWG (13.3mm) copper or equivalent, when a separate antenna grounding electrode is used.

NOTE TO THE CATV SYSTEM INSTALLER

THIS REMINDER IS PROVIDED TO CALL THE CATV SYSTEM INSTALLER'S ATTENTION TO ARTICLE 820-22 OF THE NEC THAT PROVIDES GUIDELINES FOR PROPER GROUNDING AND, IN PARTICULAR, SPECIFIES THAT THE CABLE GROUND SHALL BE CONNECTED TO THE GROUNDING SYSTEM OF THE BUILDING, AS CLOSE TO THE POINT OF CABLE ENTRY AS PRACTICAL.

MPCD

Universal-Chassis Agile A/V Mini-Demodulator

- ▶ 125-Channel Range 54-806 MHz (CATV 2-125)
- ▶ Single-slot design allows up to 12 or 16 units in Pico Macom's MPC12, MPS12, MPC12R and MPC16 chassis
- ▶ Fully compatible with most other manufacturers "mini-mod" chassis
- ▶ Keyed AGC system provides excellent picture stability
- ▶ >60dB signal-to-noise ratio for crisp, sharp picture
- ▶ Separate video and audio outputs provide maximum flexibility
- ▶ Easy setup and configuration using front panel audio and video deviation controls
- ▶ Microprocessor control with push-button channel selection provides ease of installation, configuration, and servicing
- ▶ Digital display provides quick channel identification
- ▶ State-of-the-art digital phase-locked loop (PLL) design guarantees precise frequency locking for solid drift-free operation
- ▶ SAW filtered for precise adjacent channel rejection
- ▶ Envelope detection ensures exceptional differential gain and phase



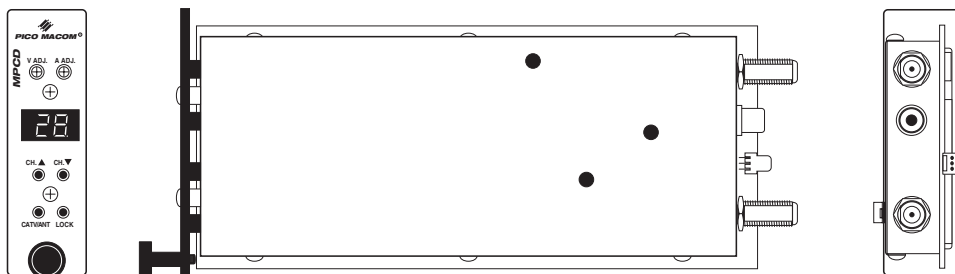
MPCD

Universal-Chassis Agile A/V Mini-Demodulator

The Pico Macom MPCD is a frequency agile professional grade, microprocessor controlled CATV mini demodulator. The unit accepts any NTSC television signal in the 54-806MHz frequency-range converting it to baseband video and audio, while maintaining over 60dB S/N ratio. Up to 12 or 16 units can be installed "mix-and-match" in Pico's **MPC12**, **MPS12**, **MPC12R** and **MPC16** chassis with **MPCM45** and **MPCMA** mini-modulators. Its unique design enables it to be installed in other manufacturers' mini-mod chassis. The unit's phase-locked-loop frequency control, envelope signal detection, and superior SAW filtering minimize adjacent channel interference and assure accurate and spurious free performance. IRC or HRC offsets can be activated via push-button switches on the front panel. The unit's PLL circuitry in conjunction with the non-volatile memory contained in the microprocessor ensures easy and reliable channel selection and restoration. The MPCD demodulator is shipped with all internal adjustments preset. Pico Macom backs up this product with its industry leading 5-year limited warranty.

MPCD

Universal-Chassis Agile A/V Mini-Demodulator



RF

Channels:	125 Channel (CATV 2-125)
Input Frequencies:	54 – 806 MHz
Input Impedance:	75 Ohms
Noise Figure:	5 dB-VHF Band, 7 dB-UHF Band
Input Return Loss:	14 dB-VHF Band, 8 dB-UHF Band

Audio

Audio Output Impedance:	600 Ohms
Audio Output Level:	800 mV minimum
Deemphasis:	75 microseconds
Flatness:	1.5 dB max. 50 Hz to 15 kHz

Ordering Information

MPCD

Video

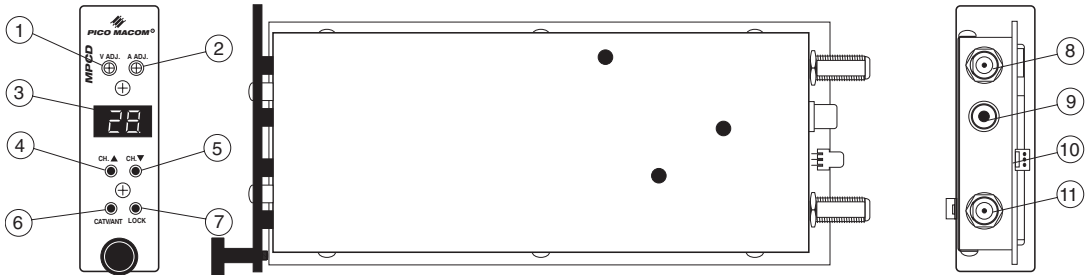
Video Output Impedance:	75 Ohms
Video Output Level:	1.0 V p-p
Video S/N:	-60 dB minimum (weighted)
Differential Gain:	<5% (10 to 90% APL)
Differential Phase:	<5° (10 to 90% APL)
Chrominance Luminance delay:	See note

Note: Meets FCC group delay predistortion correction for color transmission.

General

Power Input:	+12 Vdc, +5 Vdc
Operating Temperature:	-10° C to +50° C
Dimensions:	2.07"(W) x 8"(D) x 3.45"(H)
Weight:	0.7 lbs.
Connectors:	Video Out - F type, Audio Out - RCA, Power-center 3-pin receptacle

MPCD



Panels

1. **Video Level Control:**
Controls amplitude of baseband video.
2. **Audio Level Control:**
Controls amplitude of baseband audio.
3. **Channel Display:**
Indicates selected channel and that power is on when lit.
4. **Channel Select:**
Push this button to change channel to higher number.
5. **Channel Select:**
Push this button to change channel to lower number.
6. **CATV/ANT:**
 - Push "CATV/TV key once, the LED display "S" (STD CH)
 - Push "Channel Up" key once, the LED display "H" (HRC CH)
 - Push "Channel Up" key again, the LED display "I" (IRC CH)
 - Push "Channel Up" key once more, the LED display "U" (TV CH)
 - Push "CATV/TV" key again, the unit is in TV CH mode. (off-air)
7. **Channel Lock Control:**
Switch is used to prevent accidental change of channel.
8. **Video Output:**
Connect this baseband video output port to a monitor or modulator.
9. **Audio Output:**
Connect this baseband audio output port to a monitor or modulator.
10. **DC Power Inputs:**
The three-wire power cable from the power supply connects to this jack.
11. **RF Input:**
Connect cable system or off-air antenna to this port.

MPCD

Installation

Use a small plastic screwdriver to make required selection of switches and buttons

1. Align the top and bottom edge of module with the guide channel in chassis.
2. Slide module into chassis.
3. Connect the 3 pin molex power supply connector.
4. Connect a cable between the module RF input connection and the source antenna or CATV connection.
5. Connect cables from the module baseband video and audio outputs to the audio and video input connectors of video/audio modulator.
6. If needed, press the CATV/ANT button to select between cable TV (HRC, IRC and STD) and off-air channel assignments.
7. Select the desired channel by pressing either channel button adjacent to the arrows on front panel.
8. When the desired channel is displayed, press the lock button to lock input channel.
9. If video output level requires adjustment, connect an oscilloscope to the video output connector and adjust video control on front panel to 1volt p-p.
10. If audio output level requires adjustment, connect an oscilloscope to the audio output connector and adjust audio control on front panel to 0.5 volts p-p.
11. After adjustments have been made, reconnect all connections.

MODULE REPLACEMENT

1. Disconnect the 3 pin molex connector from module.
2. Disconnect the audio, video, and RF connectors from back of module.
3. Remove module by sliding the unit out the front of the chassis.
4. Insert replacement module into chassis.
5. Reconnect the 3 pin molex connector and audio, video, and RF connectors to the rear of module.
6. Set channel frequency and level controls as described in installation procedures.

OPERATION AND CARE

Do's & Don'ts

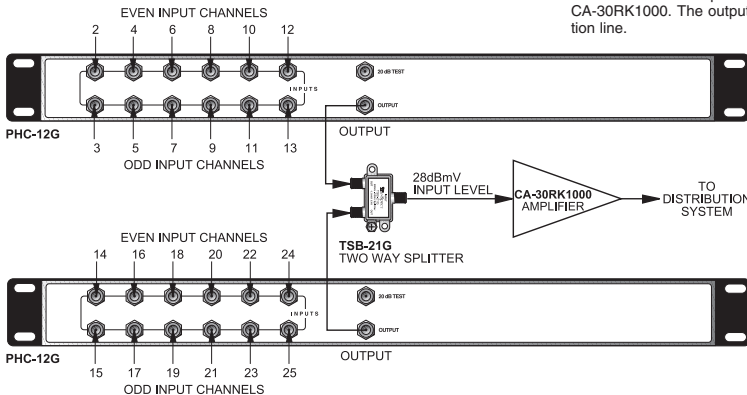
- Always operate in a cool well-ventilated environment.
- Always provide a stable, conditioned power source.
- Heed all safety warnings and obey all environmental and electrical operating requirements.
- To clean, use a damp cloth only and clean only with mild soap.
- Do not use solvents or harsh detergents.
- Do not use this product for purposes other than intended.

HEADEND/DISTRIBUTION INTERFACE

PICO MACOM recommends connecting the headend components in the following manner:

Each of the modulators, signal processors or strip amplifiers output are connected to a combining network. Either a PHC-12G or a PHC-24G headend combiner may be used to accomplish this purpose. When demodulators are used, the baseband audio and video outputs are connected to the baseband audio and video inputs of a modulator.

The PHC-12G or PHC-24G passive headend combiner consists of two rows of directional couplers combined by a hybrid splitter. Normally, the odd channels are combined on one row while even channels are combined on the other row of directional couplers for maximum isolation. The output of the combiners may be connected to the input of a launch amplifier such as a CA-30RK550 or CA-30RK1000. The output of the amplifier is connected to the main distribution line.



A 24 channel system hook-up is shown. (The same combining result may be accomplished by using a single PHC-24G). The two PHC-12G outputs are combined via a two-way splitter, which is connected to a CA-30RK1000 launch amplifier. The input levels to the combiner, whether from a modulator, signal processor or a strip amplifier, must be at the same amplitude.

MPCD

Limited Warranty

Pico Macom warrants to the original purchaser that all of its new products are of sound design, quality materials and workmanship at the time of manufacture and will be free from related defects for one year from the original purchase date. Pico Macom will repair or, at its discretion, replace without cost to the original purchaser, the product which, upon inspection by Pico Macom, appears to be defective or not conforming to factory specifications. Pico Macom will cover the cost of parts, labor, and return freight from factory.

Five-Year Limited Warranty

Most products designated as "Headend Electronics" are further covered by an extended 4-year period beyond the expiration of the original 1-year warranty, for a full 5-year period. Qualified equipment requiring factory repair during the extended 4-year period is covered under our re-certification program. Re-certification fees under this program shall not to exceed 20% of the product's List Price and whenever possible, Pico Macom will attempt to upgrade performance to the latest improved specification.

Warranty Limitations

This warranty excludes coverage of damage or inoperability resulting from (1) use or installation other than in strict accordance with Pico Macom's written instructions, (2) disassembly or repair by someone other than Pico Macom or a Pico Macom authorized repair center, (3) misuse, misapplication or abuse, (4) alteration, (5) lack of reasonable care or (6) wind, ice, snow, rain, lightning, power surges, or any other weather conditions or acts of God. Pico Macom's warranty with respect to third-party proprietary sub-assembly modules and/or private-label products are limited to the duration and terms of third-party vendors' warranty. Pico Macom shall in no event and under no circumstances be liable or responsible for any consequential, indirect, incidental, punitive, direct or special damages based upon breach of warranty, breach of contract, negligence, strict tort liability or otherwise or any other legal theory, arising directly or indirectly from the sale, use, installation or failure of any product acquired by buyer from Pico Macom. This limited warranty extends to the original purchaser. Pico Macom reserves the right to modify or discontinue this warranty at Pico Macom's sole discretion without notification. No other warranties are expressed or implied.

Uptime Loaner Program

Our Uptime loaner program is designed to provide domestic users of our headend products and commercial systems the best possible support and service. This program is established to minimize downtime resulting from equipment failure in critical service situations. We offer this program free-of-charge (excluding freight) to qualified purchasers within the warranty period. The program provides a free equipment loan of like qualified equipment enabling seamless operation for the time required to repair and return the unit.

The process is simple. Call our Customer Service desk requesting a return-merchandise-authorization (RMA) number for the failed equipment and ask for a loaner unit. We will issue an invoice for the List Price of the loaner unit plus shipping costs. When you receive the loaner unit, pack the failed unit in the loaner unit's box and ship it freight prepaid to Pico Macom for repair. When you receive the repaired unit, a new RMA number will be provided in the box. Carefully pack the loaner unit and affix the new RMA number on the box and ship it back to us for full credit excluding shipping costs.

To qualify for the program, you must have current open-terms with us and in good standing. We must receive your failed unit within one week after the loaner unit is shipped to you, and must likewise receive the loaner unit within one week after the repaired unit is shipped back to you. Daily rental fees not to exceed 10% of the equipment's List Price will apply beyond one week after the loaner or repaired unit are shipped to you. Other limitations may apply, so please call us for additional information on qualifying equipment and procedures. Pico Macom reserves the right to modify or discontinue the Uptime Loaner Program at any time, and at its sole discretion.

Damage or Shortage Claims

Our shipping staff carefully packs and ships your orders in compliance with common carriers' requirements. Please make note of any obvious damage or shortage on the freight bill or carrier's receipt next to your signature. The carrier's agent must too sign acknowledging the loss. Failure to do so may result in the carrier's refusal to honor the claim. Please open your order immediately upon receipt to check for concealed damage and compare the packing list to the items shipped. If damaged, keep the original shipping cartons for possible inspection by the carrier. You must report claims for loss or damage within 3 days of delivery, while claims for erroneous charges or price corrections must be presented within 30 days of invoice date.

Returning Shipped Items

To return any shipped items, including those shipped for warranty repairs or credit, call our Customer Service desk to request a Return Merchandise Authorization (RMA) number. Please reference the original invoice number and purchase date, and product serial number (if any). Be certain to mark the RMA number on the package boldly and legibly. Unless we specify a different carrier, please ship your returned items to us via UPS freight prepaid and fully insured. If returned for credit, we will promptly process your request upon receipt of your return order.

Our Return Policy: Your Satisfaction Guaranteed

Our goal is your complete satisfaction. If for any reason, our products were not quite what you anticipated, simply call your customer service rep and we will be happy to assist you in replacing or returning the order. You may return current, non-discontinued items for full credit for up to 30 days from invoice date. Our requirements are simple: Excepting defective items, the products must be returned in their original packaging and in re-salable condition. Restocking fees may otherwise apply beyond this period or if products are not returned in their original condition. Please contact your customer service rep for more information.

