

Data Line Surge Protection

DPR - Data Protection Rack

1453-045 RevC



Modular, reconfigurable, rack, wall or DIN rail mount surge protection for PoE, GbE, Ethernet, T1/E1 and xDSL

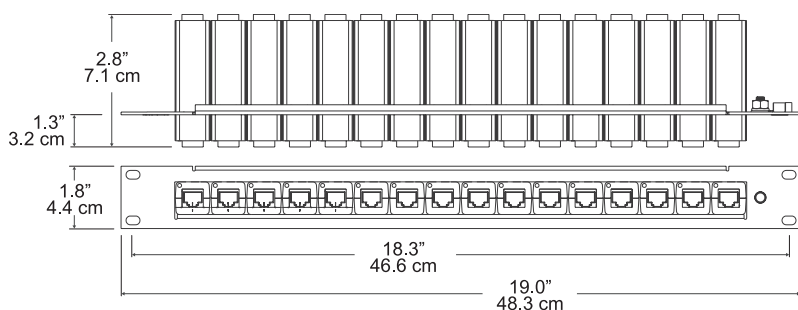
1000-1206

Features

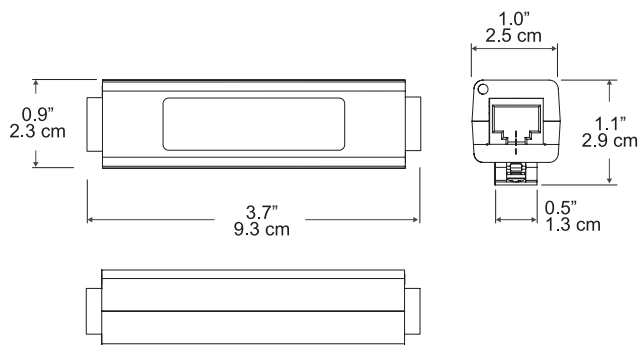
- Non-degradable, low clamping silicon diode suppression technology (except 1101-911)
- Line and load bidirectional protection
- 1RU chassis holds up to 16 modules and is adjustable to fit 19" or 23" racks
- Unprotected pins bonded to ground

Certifications

- GR-1089
- NEC 800.100 and 830.100
- IEEE 802.3af
- ITU703



DPR fully loaded rack



DPR single units

Product Model	DPR Ethernet	DPR T1/E1	DPR XDSL	DPR 1000 Base T	DPR POE 60 V	DPR GT
Part Number	1101-828	1101-830	1101-829	1101-882	1101-905	1101-911

Performance

Protocol	Ethernet	T1/E1	xDSL	GbE	PoE	GbE/PoE
Data Rate	10/100 Mb/s	1.544/2.048 Mb/s	6.312 Mb/s	10/100/1000 Mb/s	10/100 Mb/s	10/100/1000 Mb/s
Pins Protected	(1,2) and (3,6)	(1,2) and (4,5)	(1,2) and (4,5)	(1,2) (3,6) (4,5) and (7,8)	(1,2) (3,6) (4,5) and (7,8)	(1,2) (3,6) (4,5) and (7,8)
Nominal Voltage	5 Vpeak	3 Vpeak	3 Vpeak	3.3 Vpeak	48 Vpeak	60 Vpeak
Maximum Continuous Operating Voltage	6 Vpeak	6 Vpeak	5.5 Vpeak	6 Vpeak	60 Vpeak	75 Vpeak
Surge Suppression	<25 Vpeak @ 100A 10/1000µs	<25 Vpeak @ 100A 10/1000µs	<25 Vpeak @ 100A 10/1000µs	<22 Vpeak @ 100A 10/1000µs	<75 Vpeak @ 100A 10/1000µs	<100 Vpeak @ 100A 10/1000µs

Mechanical

Input/Output Connector	RJ-45
Module Dimensions H x W x D	1.0" x 1.0" x 3.7", 2.5 cm x 2.5 cm x 9.4 cm
Chassis Dimensions H x W x D	1.8" x 19.0" x 3.7", 4.4 cm x 48.3 cm x 9.4 cm
Module Weight (Max)	1.5 lbs (0.7 kg)
Chassis Weight (Max)	5.2 lbs (2.4 kg)

Environmental

Humidity	99% non-condensing
Operating/Storage Temperature	-40° C to +75° C
Enclosure Rating	UL 94V-0