

# A5HF-D



D-Class 4.3-10 Female for 7/8 in AVA5-50 and AVA5-50FX cable

## Product Classification

**Product Type** Wireless and radiating connector

## General Specifications

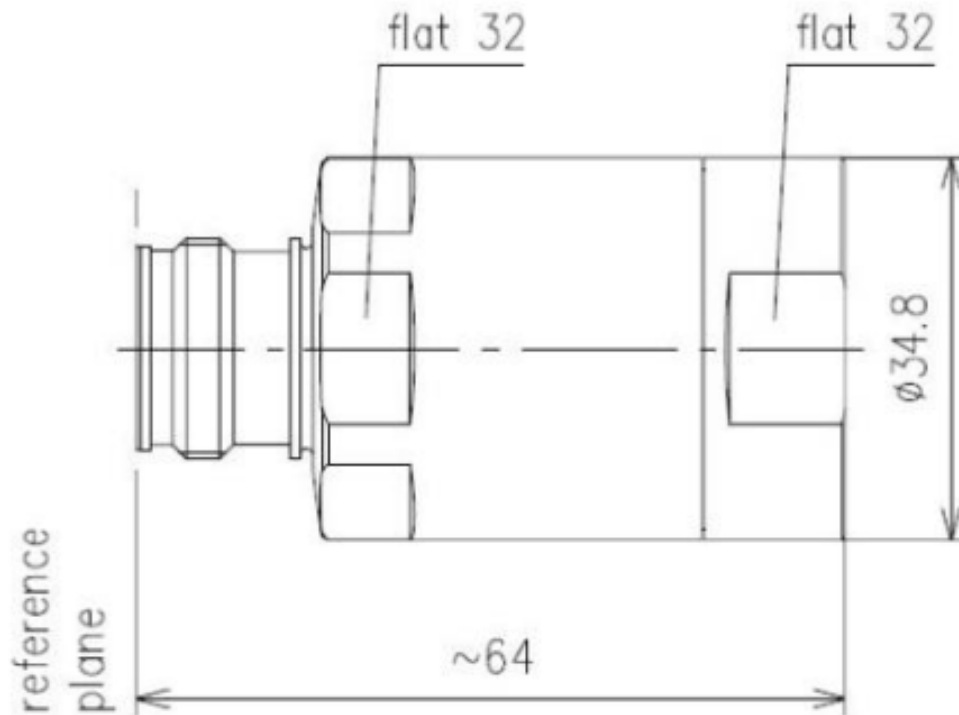
**Interface** 4.3-10 Female  
**Body Style** Straight  
**Mounting Angle** Straight  
**Ordering Note** CommScope® standard product (Global)

## Electrical Specifications

**Connector Impedance** 50 ohm  
**Operating Frequency Band** 0 – 5000 MHz  
**Cable Impedance** 50 ohm  
**3rd Order IMD Dynamic Test Method** Two +43 dBm carriers  
**3rd Order IMD, typical** -166 -dBc @ 1800 MHz  
**3rd Order IMD Test Method** Two +43 dBm carriers  
**RF Operating Voltage, maximum (vrms)** 1415.00 V  
**dc Test Voltage** 4000 V  
**Outer Contact Resistance, maximum** 1.50 mOhm  
**Inner Contact Resistance, maximum** 0.40 mOhm  
**Insulation Resistance, minimum** 5000 MOhm  
**Average Power** 3.0 kW @ 900 MHz  
**Peak Power, maximum** 40.00 kW  
**Insertion Loss, typical** 0.05 dB  
**Shielding Effectiveness** -130 dB

# A5HF-D

## Outline Drawing



## Mechanical Specifications

<b>Inner Contact Attachment Method</b>	Captivated
<b>Outer Contact Plating</b>	Trimetal
<b>Inner Contact Plating</b>	Silver
<b>Attachment Durability</b>	25 cycles
<b>Interface Durability</b>	50 cycles
<b>Interface Durability Method</b>	IEC 61169-4:9.5
<b>Connector Retention Tensile Force</b>	1334 N   300 lbf
<b>Connector Retention Torque</b>	8.13 N-m   72.00 in lb
<b>Insertion Force</b>	200.17 N   45.00 lbf
<b>Insertion Force Method</b>	IEC 61169-1:15.2.4
<b>Pressurizable</b>	No

## Dimensions

<b>Nominal Size</b>	7/8 in
<b>Diameter</b>	34.80 mm   1.37 in
<b>Length</b>	64.00 mm   2.52 in

# A5HF-D

**Weight** 160.50 g | 0.35 lb

## Environmental Specifications

<b>Operating Temperature</b>	-40 °C to +85 °C (-40 °F to +185 °F)
<b>Storage Temperature</b>	-55 °C to +85 °C (-67 °F to +185 °F)
<b>Immersion Depth</b>	1 m
<b>Immersion Test Mating</b>	Mated
<b>Immersion Test Method</b>	IEC 60529:2001, IP68
<b>Water Jetting Test Mating</b>	Mated
<b>Water Jetting Test Method</b>	IEC 60529:2001, IP66
<b>Moisture Resistance Test Method</b>	MIL-STD-202F, Method 106F
<b>Mechanical Shock Test Method</b>	IEC 60068-2-27
<b>Thermal Shock Test Method</b>	MIL-STD-202, Method 107, Test Condition A-1, -55 °C to +85 °C
<b>Vibration Test Method</b>	IEC 60068-2-6
<b>Corrosion Test Method</b>	IEC 60068-2-11

## Standard Conditions

<b>Attenuation, Ambient Temperature</b>	20 °C   68 °F
<b>Average Power, Ambient Temperature</b>	40 °C   104 °F

## Return Loss/VSWR

<b>Frequency Band</b>	<b>VSWR</b>	<b>Return Loss (dB)</b>
0–1000 MHz	1.02	40.00
1000–2700 MHz	1.04	34.00
2700–3800 MHz	1.07	30.00

## Regulatory Compliance/Certifications

<b>Agency</b>	<b>Classification</b>
RoHS 2011/65/EU	Compliant by Exemption
China RoHS SJ/T 11364-2006	Above Maximum Concentration Value (MCV)
ISO 9001:2008	Designed, manufactured and/or distributed under this quality management system



## \* Footnotes

<b>Immersion Depth</b>	Immersion at specified depth for 24 hours
<b>Insertion Loss, typical</b>	0.05v*freq (GHz) (not applicable for elliptical waveguide)