



APTDC-BDFDM-DBW

Arrestor Plus® Dual Band Quarterwave dc Passing Surge Arrester (T-shaped) for LTE frequencies, with interface types DIN Female Bulkhead and DIN Male

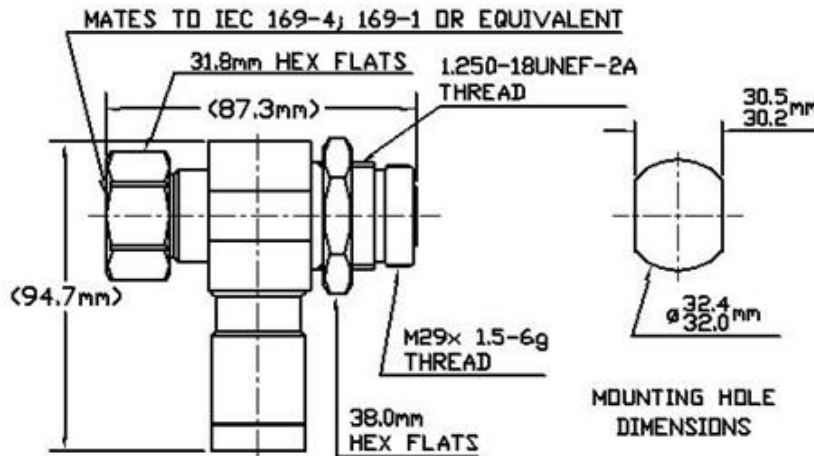
General Specifications

Device Type	dc Pass
Interface	7-16 DIN Female Bulkhead
Interface 2	7-16 DIN Male
Ordering Note	CommScope® standard product in the United States and Canada
Body Style	Bulkhead

Electrical Specifications

Operating Frequency Band	698 – 2200 MHz
3rd Order IMD	-117.0 dBm -160.0 dBc (relative to carrier)
3rd Order IMD Test Method	Two +43 dBm carriers
Average Power	3000 W
Connector Impedance	50 ohm
dc Current, continuous	3 A
Gas Tube Voltage	90 V
Lightning Surge Capability	10 times @ 30 kA
Lightning Surge Capability Test Method	IEEE C62.42-1991
Lightning Surge Capability Waveform	8/20 waveform
Lightning Surge Current	30 kA
Lightning Surge Current Waveform	8/20 waveform
Peak Instantaneous Power (PIP)	25 kW RF
Peak Power, maximum	40.00 kW
Throughput Energy	250.0 µJ
Throughput Voltage	50.0 V
Insertion Loss, typical	0.07 dB

Outline Drawing



Mechanical Specifications

Coupling Nut Proof Torque	24.86 N-m 220.00 in lb
Coupling Nut Retention Force	1000.85 N 225.00 lbf
Coupling Nut Retention Force Method	MIL-C-39012C-3.25, 4.6.22
Inner Contact Plating	Silver
Interface Durability	500 cycles
Interface Durability Method	IEC 61169-16:9.5
Outer Contact Plating	Trimetal
Pressurizable	No

Dimensions

Height	87.88 mm 3.46 in
Length	87.88 mm 3.46 in
Weight	0.60 kg 1.32 lb
Width	41.91 mm 1.65 in

Environmental Specifications

Corrosion Test Method	MIL-STD-202, Method 101, Test Condition B
Immersion Depth	1 m
Immersion Test Mating	Mated
Immersion Test Method	IEC 60529:2001, IP68
Mechanical Shock Test Method	MIL-STD-202F, Method 213B, Test Condition C
Moisture Resistance Test Method	MIL-STD-202, Method 106
Operating Temperature	-40 °C to +100 °C (-40 °F to +212 °F)

APTDC-BDFDM-DBW



Storage Temperature	-70 °C to +150 °C (-94 °F to +302 °F)
Thermal Shock Test Method	MIL-STD-202, Method 107, Test Condition A-1, Low Temperature -55 °C
Water Jetting Test Mating	Mated

Standard Conditions

Attenuation, Ambient Temperature	20 °C 68 °F
Average Power, Ambient Temperature	40 °C 104 °F

Return Loss/VSWR

Frequency Band	VSWR	Return Loss (dB)
1.0–1.5 MHz	1.13	24.00
2.0–2.3 MHz	1.13	24.00
698–806 MHz	1.13	24.00
806–960 MHz	1.11	26.00
1710–2200 MHz	1.11	26.00

Regulatory Compliance/Certifications

Agency	Classification
RoHS 2011/65/EU	
China RoHS SJ/T 11364-2006	
AISG	Compliant
ISO 9001:2008	Designed, manufactured and/or distributed under this quality management system



* Footnotes

Immersion Depth	Immersion at specified depth for 24 hours
Insertion Loss, typical	0.05v ⁻ freq (GHz) (not applicable for elliptical waveguide)