

FRM Series

Non-Penetrating Roof Mounts

Product Features:

These non-penetrating roof mounts are constructed of steel and use standard concrete blocks to anchor. For use with DBS, antenna, and satellite internet systems.

FRM-125

60" mast with 1.25" O.D.

FRM-166

30" mast with 1.66" O.D.

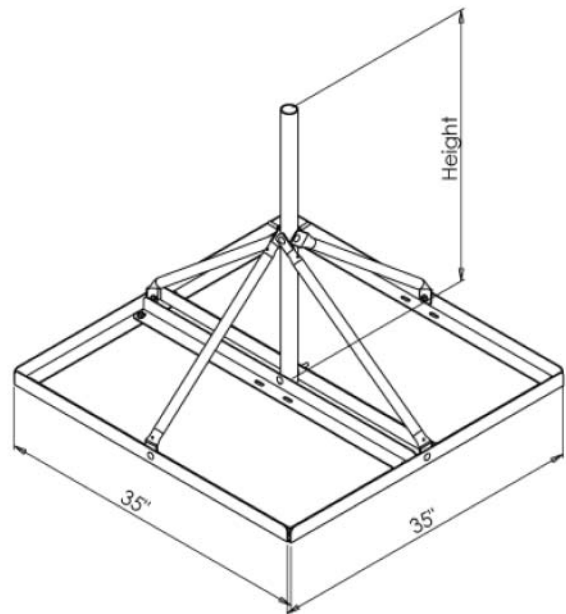
FRM-200

30" mast with 2.00" O.D.

Product Specifications:

(for Architects & Engineers)

The non-penetrating roof mount for antenna's and satellite dishes is the Video Mount Products (VMP) model FRM-____. The mount shall be primarily constructed of angular and tubular steel. The mount shall be constructed as to allow up to 8 standard size concrete blocks to be used as ballast for the mount. The mount shall be painted with weather resistant powder coat paint.



VMP
VIDEO MOUNT PRODUCTS