



L4HM-D

4.3-10 Male for 1/2 in AL4RPV-50, LDF4-50A, HL4RPV-50 cable

General Specifications

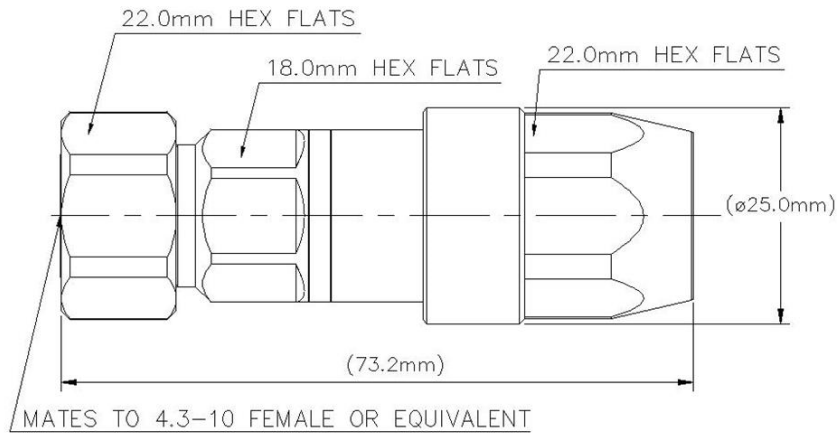
Interface	4.3-10 Male
Body Style	Straight
Brand	HELIAX®
Mounting Angle	Straight
Ordering Note	CommScope® standard product (Global)

Electrical Specifications

Connector Impedance	50 ohm
Operating Frequency Band	0 – 8800 MHz
Cable Impedance	50 ohm
3rd Order IMD Dynamic Test Method	Two +43 dBm carriers
3rd Order IMD, typical	-116 dBm @ 910 MHz
RF Operating Voltage, maximum (vrms)	884.00 V
dc Test Voltage	2500 V
Outer Contact Resistance, maximum	1.00 mOhm
Inner Contact Resistance, maximum	1.00 mOhm
Insulation Resistance, minimum	5000 MOhm
Average Power	600.0 W @ 900 MHz
Peak Power, maximum	15.00 kW
Insertion Loss, typical	0.05 dB
Shielding Effectiveness	-110 dB

L4HMD

Outline Drawing



Mechanical Specifications

Outer Contact Attachment Method	Clamp
Inner Contact Attachment Method	Captivated
Outer Contact Plating	Trimetal
Inner Contact Plating	Silver
Attachment Durability	25 cycles
Interface Durability	100 cycles
Connector Retention Tensile Force	890 N 200 lbf
Connector Retention Torque	5.42 N-m 48.00 in lb
Coupling Nut Proof Torque	10.00 N-m 7.38 ft lb
Coupling Nut Retention Force	450.00 N 101.16 lbf

Dimensions

Nominal Size	1/2 in
Diameter	25.00 mm 0.98 in
Length	73.20 mm 2.88 in
Weight	122.90 g 0.27 lb

Environmental Specifications

Operating Temperature	-55 °C to +85 °C (-67 °F to +185 °F)
Storage Temperature	-55 °C to +85 °C (-67 °F to +185 °F)
Immersion Depth	1 m
Immersion Test Mating	Mated

L4HMD

Immersion Test Method	IEC 60529:2001, IP68
Water Jetting Test Mating	Mated
Water Jetting Test Method	IEC 60529:2001, IP66
Moisture Resistance Test Method	IEC 60068-2-3
Mechanical Shock Test Method	IEC 60068-2-27
Thermal Shock Test Method	IEC 60068-2-14
Vibration Test Method	IEC 60068-2-6
Corrosion Test Method	IEC 60068-2-11

Return Loss/VSWR

Frequency Band	VSWR	Return Loss (dB)
45–1000 MHz	1.02	40.00
1000–2700 MHz	1.03	38.00
2700–3800 MHz	1.07	30.00
3800–6000 MHz	1.11	26.00

Regulatory Compliance/Certifications

Agency	Classification
RoHS 2011/65/EU	Compliant by Exemption
China RoHS SJ/T 11364-2006	Above Maximum Concentration Value (MCV)
ISO 9001:2008	Designed, manufactured and/or distributed under this quality management system



* Footnotes

Immersion Depth	Immersion at specified depth for 24 hours
Insertion Loss, typical	$0.05v^{-1}$ freq (GHz) (not applicable for elliptical waveguide)