

POWERED BY



MT-F1637

Rubber Mat, 1/2 in x 18 in x 48 in

## Dimensions

---

Height	25.4 mm   1.0 in
Length	1219.2 mm   48.0 in
Width	457.2 mm   18.0 in
Weight	7.4 kg   16.2 lb

## Environmental Specifications

---

Wind Rating	For specifications—contact 1-800-255-1479 (North America), 1-779-435-6500 (International), or a CommScope representative
-------------	--

## General Specifications

---

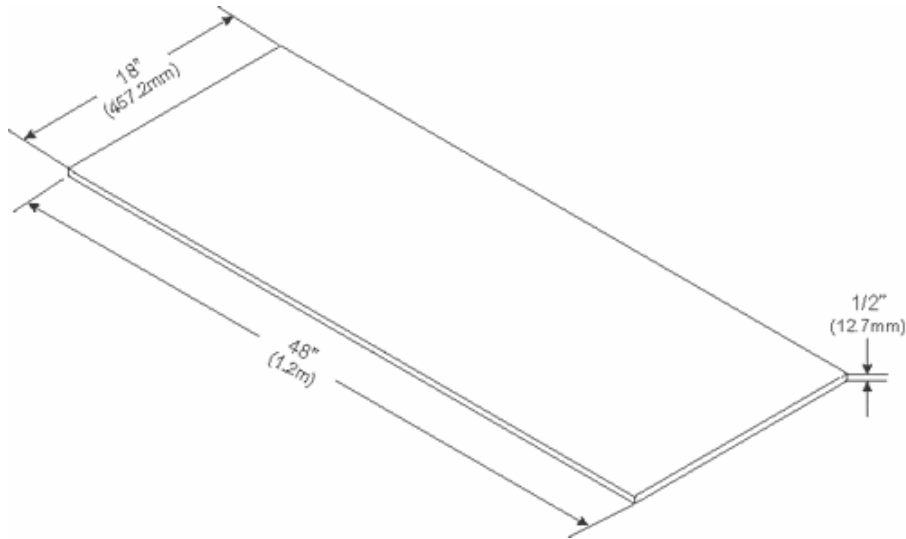
Product Type	Rubber mat
Mounting	Non-penetrating
Includes	Mat
Material Type	Rubber
Package Quantity	1

MT-F1637

POWERED BY



## Outline Drawing



## Regulatory Compliance/Certifications

Agency	Classification
ISO 9001:2008	Designed, manufactured and/or distributed under this quality management system

### \* Footnotes

Wind Rating	BWS—Base Wind Speed; FBC—Florida Building Code
-------------	--