

Wall Feed-Through Bushings

Trim rings give a professional finish to drilled holes

- * Dress up drilled holes for RG-6 coax wire entry
- * Available for both single coax and dual coax
- * One model has clearance slots for siamese ground wires (see back page)
- * Center passageway accommodates up to 0.30" O.D. coax
- * Select white, ivory or black injection molded colors
- * UV protected plastic



PVFTBKOSB

Product Description

Make drilled access holes look professional. Use these economical wall bushings to finish the job right.

Keeps out drafts and reduces insect travel options.

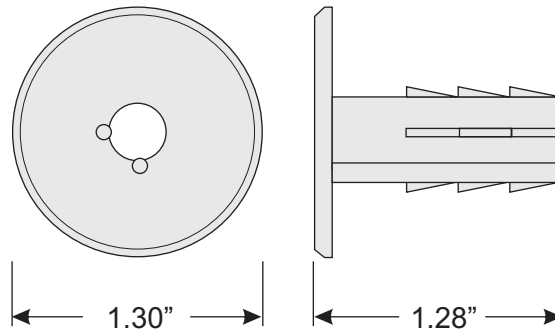
Accommodates most RG-6 dual-shield, Tri-shield and Quad-shield coax configurations.

Teeth around the cylinder help secure the bushing in place when used in sheet rock.

Wall Feed-Through Bushings

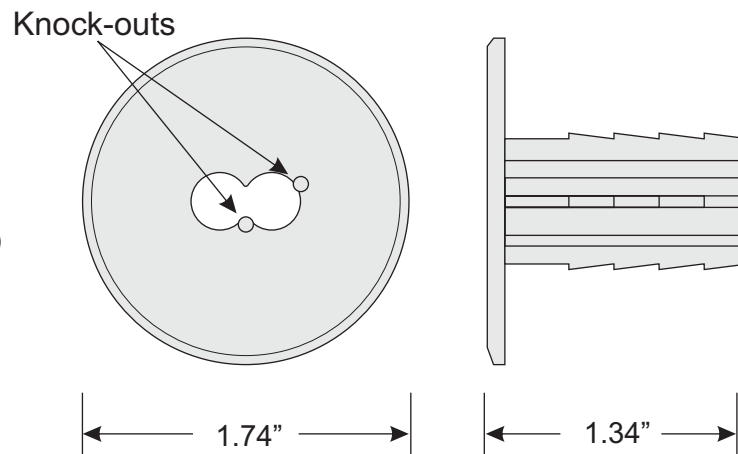
PVFTBKOSB (black)

PVFTBKOSW (white)



PVFTBKODB (black)

PVFTBKODW (white)



Mechanical

Bushings have two knock-out plugs which can be removed to accommodate a siamese ground wire with O.D. of ~ 0.13".

Material: UV resistant PP

Packaging

Bags of 100 pieces.