

TerraWave Solutions® 18x16x10 Polycarbonate Enclosures

Non-metallic enclosures are commonly used in harsh environments or to protect wireless LAN equipment from damage caused by tampering. TerraWave's NEMA rated solutions make it easy to mount and protect the most commonly used WLAN equipment on the market today. From basic to completely customized, TerraWave offers NEMA accessories for any application and provides custom NEMA solutions of superior quality and value.

The polycarbonate enclosures are intended for indoor and outdoor use to protect wireless equipment from the elements and theft. These rugged enclosures are extremely affordable and are the lightest weight enclosure solution TerraWave offers. Every TerraWave enclosure is covered by the Company's two-year TerraNet warranty program. For questions and to purchase product, contact Solid Signal at 1-877-312-4547 (EST)



18x16x10 Polycarbonate Enclosure with Solid Cover and Key Lock



18x16x10 Polycarbonate Enclosure with Solid Cover and Locking Latches



18x16x10 Polycarbonate Enclosure with Clear Cover and Key Lock



18x16x10 Polycarbonate Enclosure with Clear Cover and Locking Latches

Features and Benefits

- Protect RF equipment from elements, theft and tampering
- Supports all major wireless vendors, such as Cisco, Motorola, Aruba, Meru, Juniper and others
- Operating temperature range: -40°F to +265°F
- Can be mounted indoors or outdoors to provide NEMA 4X protection
- Vented enclosures provide NEMA 3R protection
- Furnished hardware kit includes panel mounting screws and grounding hardware
- Excellent value. Superior performance at a competitive price
- Additional accessories are available
- Includes standard universal mounting plate, pre-drilled holes for jumpers/bulkhead extenders and strain relief
- All TerraWave polycarbonate enclosures are RoHS compliant

Enclosure Construction

- Constructed of thermoplastic material
- UL F1 Rated for Outdoor UV Exposure

Finish

- Color is light gray with a gloss finish

Available Options

Door:

- Clear
- Solid

Locking Mechanism:

- CAT60 Lock
- Locking Latches

Bulkhead Antenna Holes

- None
- 2
- 4
- 6

Bulkhead Antenna Hole Sizes

- 1/2" (RPTNC)
- 1/4" (RPSMA)

Available Accessories

- Pole Mount Kit
- Wall Mount Kit
- Custom Jumpers
- NEMA Plug
- Lightning Protection
- Replacement Keys
- Vents
- Power Receptacle



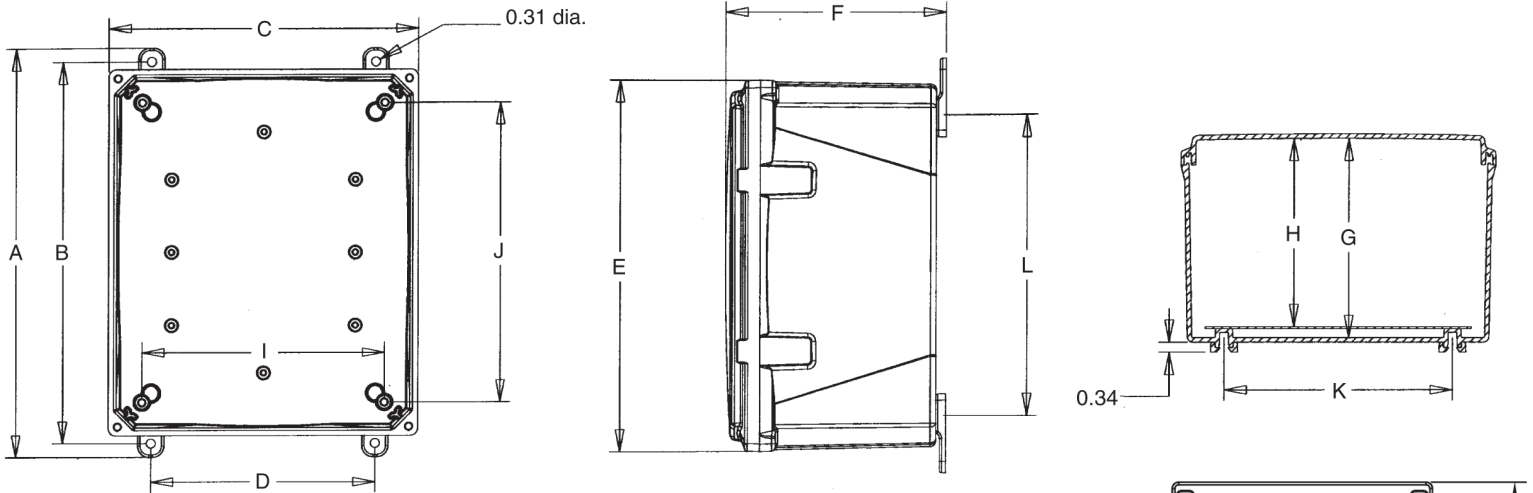
TerraWave's polycarbonate enclosures have been evaluated for compliance with the Reduction of Hazardous Substances (RoHS) Directive 2002/95 and have been determined to not contain substances in excess of RoHS Maximum Concentration Levels.

In addition to enclosures for wireless deployments, TerraWave can design custom enclosures for any application including IP cameras, switches, routers and more.

*NEMA rating of enclosure only—before modifications and additions

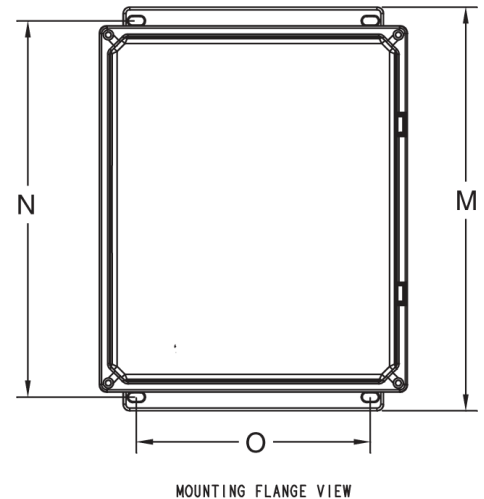
**All TerraWave enclosures have been modified to work in Wi-Fi/WLAN applications

TerraWave Solutions® 18x16x10 Polycarbonate Enclosures



Enclosure Dimensions

Enclosure Size	A	B	C	D	E
18" x 16" x 10"	19.56"	18.75"	17.75"	14.00"	19.00"
	F	G	H	I x J	K
	11.50"	11.00"	10.50"	14.25" x 16.25"	14.00"
	L	M	N	O	Panel Size
	15.25"	19.71"	18.71"	14.16"	16.75" x 14.88"



A: Overall Length with Mounting Feet
 B: Mounting Feet Hole Spacing/Length
 C: Overall Width
 D: Mounting Feet Hole Spacing/Width
 E: Overall Enclosure Length
 F: Overall Enclosure Height
 G: Internal Height

H: Internal Height Above Backplate
 I: Internal Panel Mounting Boss Width
 J: Internal Panel Mounting Boss Length
 K: Mounting Feet Attachment Boss Width
 L: Mounting Feet Attachment Boss Length
 M: Overall Length with Mounting Flange
 N: Mounting Flange Hole Spacing/Length
 O: Mounting Flange Hole Spacing/Width



TerraWave's polycarbonate enclosures have been evaluated for compliance with the Reduction of Hazardous Substances (RoHS) Directive 2002/95 and have been determined to not contain substances in excess of RoHS Maximum Concentration Levels.

In addition to enclosures for wireless deployments, TerraWave can design custom enclosures for any application including IP cameras, switches, routers and more.

*NEMA rating of enclosure only—before modifications and additions

**All TerraWave enclosures have been modified to work in Wi-Fi/WLAN applications