

VMP-VWS

vented wall shelf

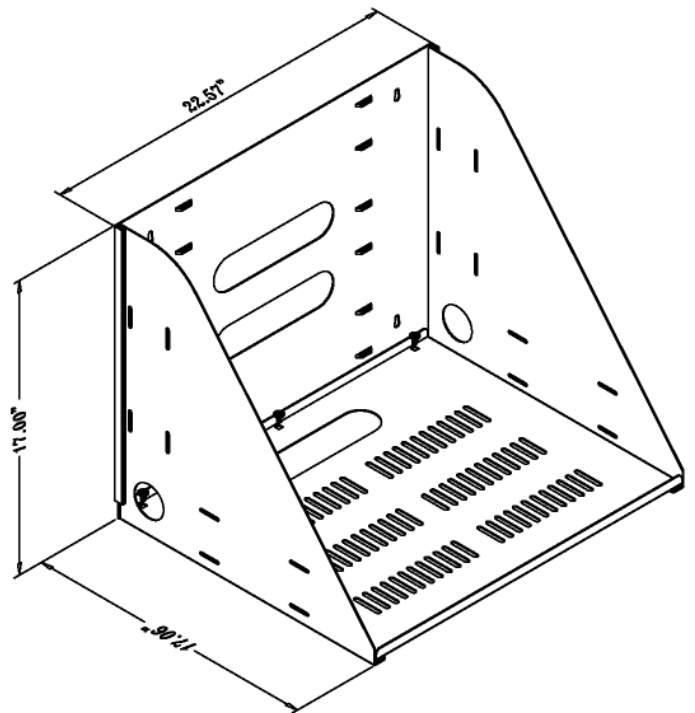
Product Features:

- wall or backboard mount
- convenient quick-slide assembly
- 5 cable supply locations
- load capacity - 200 lbs
- dimensions - 17" x 20.5" x 17" (HxWxD)
- black static resistant powder coat finish

Product Specifications:

(for Architects & Engineers)

The wall mounted equipment shelf shall be a Video Mount Products (VMP) model VMP-VWS. The shelf shall be constructed primarily of formed steel. The shelf shall be wall or backboard mountable and include 5 cable knockouts and vents for air flow. The interior dimensions of the shelf shall be 17" x 20.5" x 17" (HxWxD). The load capacity shall be 200 lbs.



VMP
VIDEO MOUNT PRODUCTS