

# INSTALLATION INSTRUCTIONS

## INTERIOR WINDOW GUARDS WGI-C1, C2, C3 & C4

### 1997 - 2019 CHEVROLET FULL SIZE WINDOW VANS

#### TOOLS REQUIRED:

Power drill	Phillips screwdriver
Safety goggles	Torx Bit Set
Hand jig saw	Vise grips
Pencil	Ratcheting Wrench
Drill Bit Set	Standard Socket Set
File Set	

#### HARDWARE:

<u>QTY</u>	<u>DESCRIPTION</u>	<u>PART #</u>
57	¼" x ½" Screw Torx Tamperproof – screen to bracket	GSM34190
57	Flat Washers – screen to bracket	GSM31005
114	¼" x ¾" Hex Head Sems Screw w/Washer	GSM33060-1
57	“L” mounting brackets	See drawings.
10	Window Latch Cover 2" X 3 ½" Plates	WGI-C1-COVERPLATE
20	#10 x ½" Phillips Head Sheet Metal Screws	GSM33194
1	Position #2 Extension plate	WGI-C1-2X
2	T-27 Torx ¼" Hex Insert 1" OAL Tamper	SM10270

#### SUBASSEMBLY:

##### 1. Remove Necessary Trim:

- Remove all trim that surrounds windows having guards installed.
- Remove seat belt bolts to remove trim on “B” pillar (Driver Side pillar only).
- Remove all Rear Seats for ease of installation.

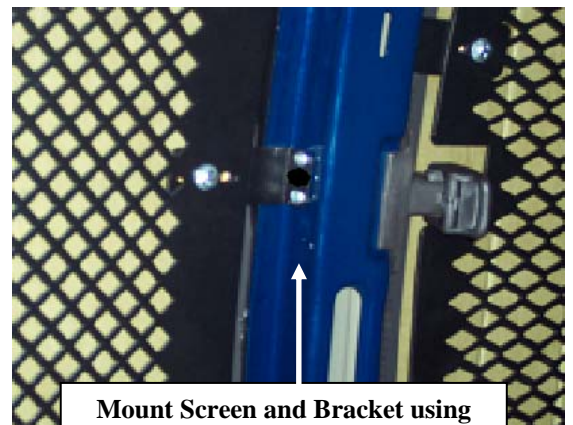
*Note: It is not necessary, but is recommended to remove all seats except Front Driver and Passenger Seats.*

#### INSTALLATION:

##### 1. Layout of Window Guards:

- Determine proper guard for each window.  
(See Vehicle Layout Chart)
- Determine which “L” mounting brackets go with each Window Guard and attach tightly using ¼-20 x ½” Hex head bolt and washer. Use the center nut-cert on bracket.  
(See assembly drawings.)

*Note: Guards will fit inside the diameter of the plastic trim.*



**Mount Screen and Bracket using  
(2) ¼-20 x ¾” Hex Head Lag Bolts**

## 2. Mount Window Guards.

- Position Assembled Guard in appropriate window frame.
- With guard centered mark the (2) outside holes on the side brackets. Remove guard assembly and pre-drill using a 3/16" drill bit.
- Reposition Guard and Bolt brackets to frame using 1/4" X 3/4" Hex head lag bolts. (2-per bracket).
- Bracket placement is important in order to evenly center guard inside window trim.
- Prior to mounting all brackets, you may want to hold interior window trim back up to make sure the guard is in the correct position.
- Mount all remaining brackets to window frame, center window guard, and tighten bolts.

## 3. Mark and Cut Trim:

- Trim must be notched around brackets in order for trim to snap back into position.
- Mark where brackets and trim come into contact.
- Make notch 1/4" to 1/2" larger than brackets for adjustment.
- The cuts should be approximately 3/8" x 2".
- Clean all cuts with a file then replace trim. It may take a few times to get the proper cutouts so trim snaps into place.

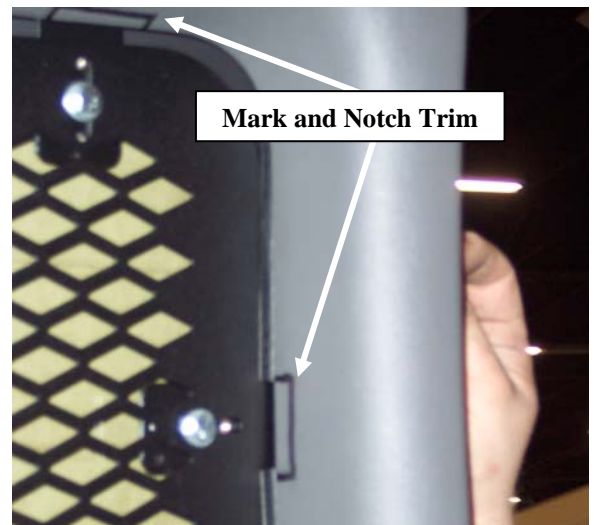
### Notes:

1. *Window guards still may need some adjusting to allow trim to fit properly.*
2. *If installing DP-C1 door panels, the inner window trim must be cut off of the lower door panel in order to be reused OR the upper trim just not be reinstalled.*

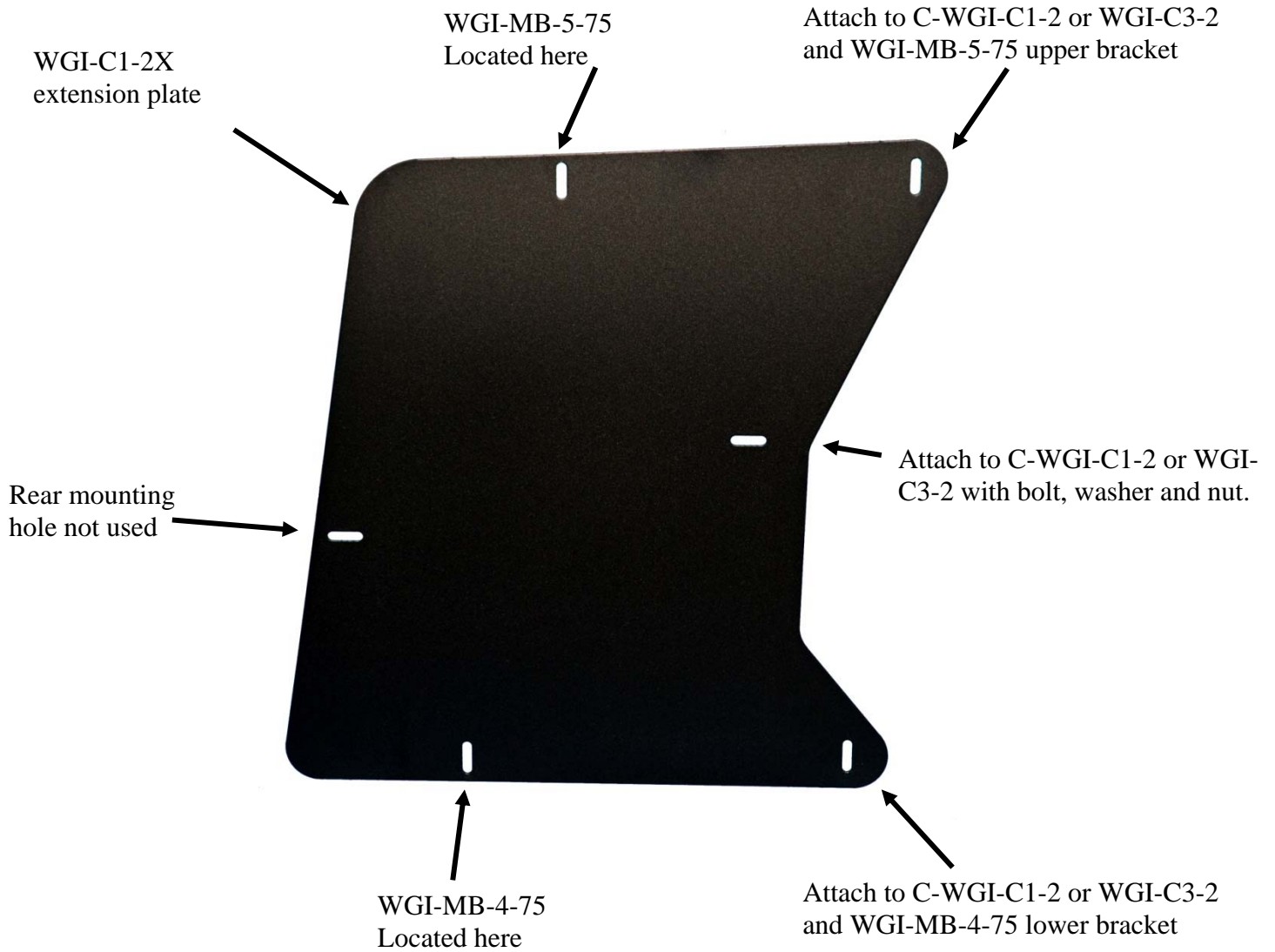
## 4. Disable Window Latches:

- Windows with pop out latches will have a cutout to allow access to latch.
- If desired, position Window latch cover plates across cutout on Window Guard to prohibit movement of latch.
- Attach plate to window guard using (2) #10 x 1/2" sheet metal screws.

*Note: Some vehicles do not have window latches. Therefore center cover plates over openings.*



The WGI-C1-2X extension plate will be located behind the OEM AC ductwork and attaches to the rear side window guard C-WGI-C1-2 or WGI-C3-2 and window frame with hardware and brackets provided.



**1997-2019**  
**CHEVROLET FULL SIZE VAN WINDOW GUARD POSITIONING**  
**CHART**  
**WGI-C1, C2, C3 & C4**

POSITION  
#1  
  
DRIVER  
SIDE  
FIRST  
WINDOW  
  
WGI-C1-1A  
AND  
WGI-C1-1B

POSITION  
#9  
SIDE  
SWING  
OUT  
DOOR  
WGI-C1-9

POSITION  
#10  
  
PASS.  
SIDE  
SLIDE  
DOOR  
  
WGI-C2-10A  
AND  
WGI-C2-10B

POSITION  
#8  
SIDE  
SWING  
OUT  
DOOR  
WGI-C1-8

POSITION  
#2  
  
DRIVER SIDE  
SECOND  
WINDOW  
  
WGI-C1-2 OR  
WGI-C3-2  
Both use WGI-  
C1-2X ext.  
plate)

WGI-C1-2 & WGI-C1-7  
USED W/KITS WGI-C1  
& WGI-C2

WGI-C3-2 & WGI-C3-7  
USED W/KITS WGI-C3  
& WGI-C4

POSITION  
#7  
  
PASS.  
SIDE  
SECOND  
WINDOW  
  
WGI-C1-7  
OR  
WGI-C3-7

POSITION #4  
  
DRIVER SIDE  
REAR DOOR  
WGI-C1-4

POSITION #5  
  
PASSENGER SIDE REAR  
DOOR  
WGI-C1-5

# WGI-C1, C2, C3, C4 WINDOW GUARD BRACKET LAYOUT

