

# Product Cut Sheet

## UNIVERSAL EARTHQUAKE BRACING KIT

This adjustable wall/ceiling brace provides a means of securing an equipment rack or auxiliary frame to meet earthquake safety codes.

- Material is 2" x 1/4" steel finished with Gold Chem Film over zinc plating
- **Kit consists of:**
  - 4 each brackets (make 2 swivel brackets)
  - 2 each 1/2-13 x 1 1/4" hex bolts
  - 2 each 1/2-13 hex nuts
  - 2 each 1/2" split lock washers

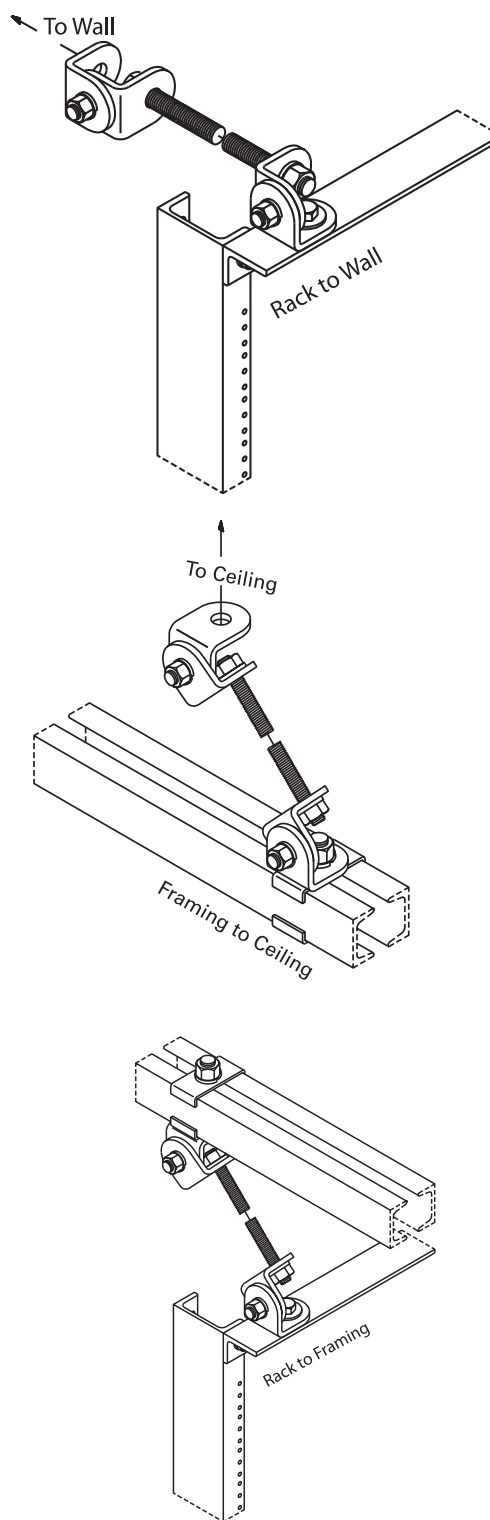
**Installation will require (not included):**

- 1 each 5/8-11 threaded rod of appropriate length.  
(See P/N 11440.) *Rod must be trimmed to proper length during installation*
- 2 each 5/8-11 hex nuts
- 2 each 5/8 flat Type A washer, wide
- Clip kit and hardware for attachment to channel or bar

**Installation may also require (not included):**

- **For concrete ceiling:**
  - 1 each 5/8-11 concrete anchor (P/N 06001-001)
  - 1 each 5/8-11 x 3" stud (P/N 08001-002)
  - 2 each 5/8-11 hex nuts (P/N 20142-111)
  - 1 each 5/8" split lock washer (P/N 04003-001)
  - 1 each 5/8" flat, washer, wide, Type A (P/N 20283-022)
- **For rack:**
  - 1 each 5/8-11 x 1 1/4" hex cap screw (P/N 02004-006)
  - 1 each 5/8-11 hex nut (P/N 20142-111)
  - 1 each 5/8" split lock washer (P/N 04003-001)
- **For auxiliary frame or grid:**
  - 1 each Grid Clamp Kit (P/N 10609)
  - 1 each 5/8-11 x 3 1/4" hex screw cap (P/N 02004-007)
  - 1 each 5/8-11 hex nut (P/N 20142-111)
  - 1 each 5/8" split lock washer (P/N 04003-001)
- **For plywood backboard:**
  - 1 each 5/8" x 2" hex lag screw (P/N 02006-022)
  - 1 each 5/8" split lock washer (P/N 04003-001)

**NOTE:** Seismic installation requirements should be approved by a licensed structural engineer.



Part Number	Description	Shipping Weight
10562-001	Universal Earthquake Bracing Kit	3 lb



CHATSWORTH PRODUCTS, INC.

©2010 Chatsworth Products, Inc. All rights reserved. CPI, CPI Passive Cooling, MegaFrame, Saf-T-Grip, Seismic Frame, SlimFrame, TeraFrame, Cube-iT Plus, Evolution, OnTrac, and QuadraRack are federally registered trademarks of Chatsworth Products, Inc. GlobalFrame, Simply Efficient and Velocity are trademarks of Chatsworth Products, Inc. All other trademarks belong to their respective companies.