

Specifications

Placement

Passenger side, in front, where seat frame meets floor board

Seat Configuration

Bucket

Drilling Required

None - uses existing seat bolts

Construction/Finish

Steel/Black powder coat

Dimensions

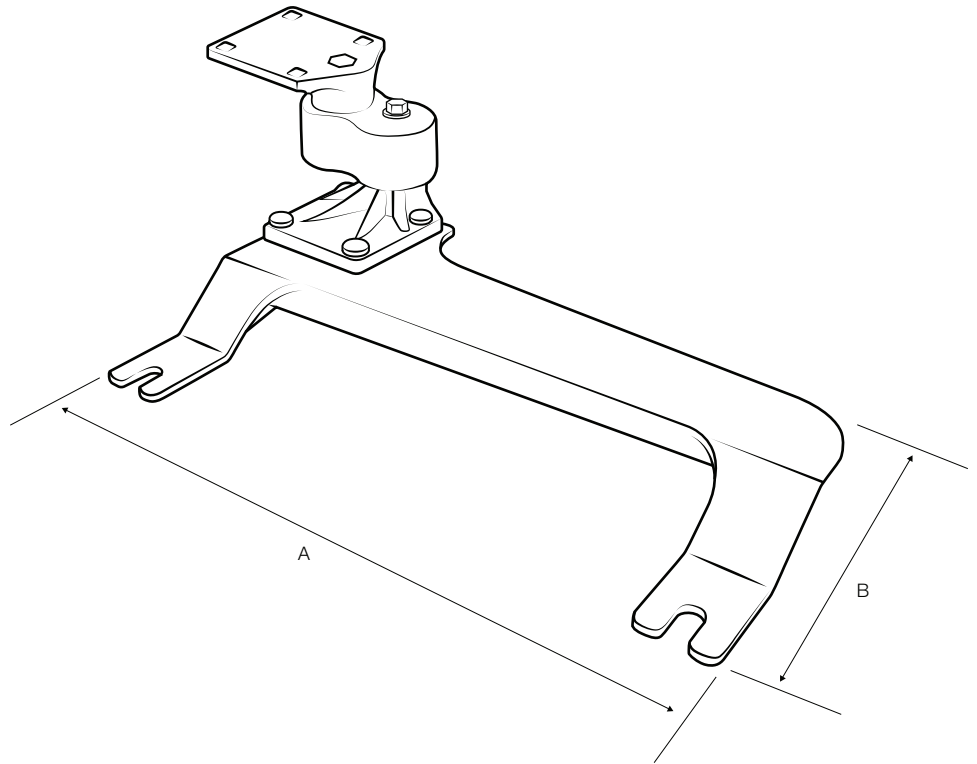
(A) 16.875" (B) 9.25"
(Hole Center) 15"

Pole or Pedestal

Ordered separately

Weight

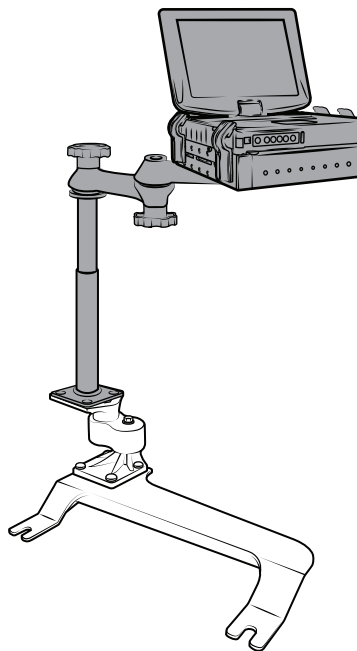
7 lbs.



Features

Installs in minutes with no drilling required

Won't interfere with levers, factory-installed console, or 4WD lever



RMR-INS-VB-159



Safety Precaution

Do not install this product near or over an airbag deployment area or in a location that obstructs the driver's vision or interferes with vehicle operation. National Products, Inc does not assume responsibility or liability for any such personal injury, death or property damage.

Installation Instructions

Please read through the installation instructions entirely before beginning the installation of this product.

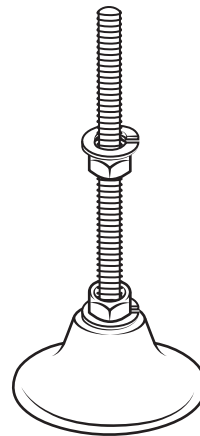
Depending on the trim level of your vehicle, there may be 1 or 2 pieces of plastic trim covering the seat frame bolts used to secure the seat to the floor board. Also, attaching the adjustable riser to the RAM® No-Drill™ base prior to vehicle installation is suggested.

- 1 Plastic trim must be removed to allow access to seat rail nuts.
- 2 The inner most seat rail trim piece can be removed by pulling it upward with uniform force. Once removed, you can see the first of two seat rail nuts to be loosened. Set aside the trim piece to be reinstalled later.
- 3 The outer most piece of trim has a “D” shaped piece facing the door that can be removed using a small flat head screw driver. Place the head of the screw driver into the small rectangular opening and gently pry the cover off. Be careful not to damage the trim. Under this cover is the second seat rail nut that needs to be loosened. Save this piece of trim along with the first piece you removed.
- 4 Using a 9/16” deep socket, loosen the two star shaped nuts holding the seat rail to the floor board. Do not remove the nuts completely as this is not necessary.
- 5 Once you can lift the seat off the floor board no more than ¼”, slide the base, notches toward the rear and platform toward the console, between the seat frame and floor board. The base will stop once the back of the notches comes in contact with the floor studs that pass upward through the seat frame and into the nuts.
- 6 Once the base is in place, re-tighten the nuts using the 9/16” deep socket to 30 ft lbs.
- 7 Reinstall the two pieces of plastic trim that were removed earlier.

Please note that one or both pieces of trim covering the front of the seat rails may be raised slightly off the floor as a result of this installation.

Optional Foot Stabilizer

The use of the stabilizer foot is recommended to reduce bounce in all applications. Simply replace one of the carriage bolts holding the pole system or riser in place with the stabilizer foot as shown. You will need a ½” box wrench to tighten the hardware. The part number for the stabilizer foot kit is RAM-FOOT2. Slide the bolt through the foot, slide a lock washer over the thread so it rest on the foot. Place a nut over the thread and tighten to secure the foot over the head of the bolt. Next, thread a nut over the bolt and slide another lock washer over the bolt. Pass the foot up through the base from the bottom. Once through the base, slide the flat washer, lock washer, then thread the nut over the bolt. Position foot while hardware is loose so it is supporting the base off the floor. Once in position, tighten the nut so that it forces the foot down against the floor. Secure with remaining nut and washers on top.



RMR-INS-VB-159



Safety Precaution

Do not install this product near or over an airbag deployment area or in a location that obstructs the driver's vision or interferes with vehicle operation. National Products, Inc does not assume responsibility or liability for any such personal injury, death or property damage.