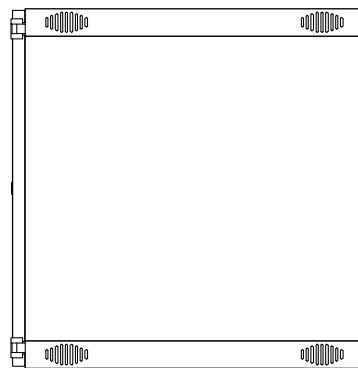
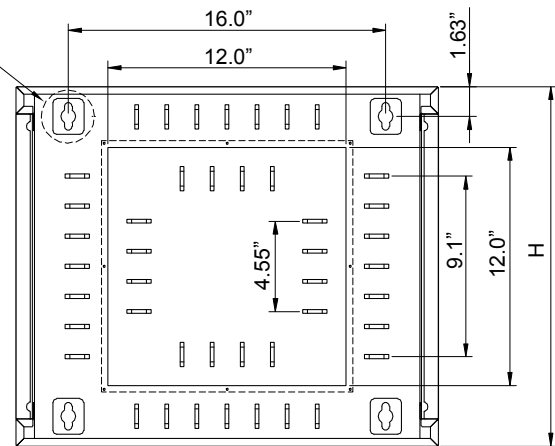


FRONT



SIDE



BACK

PERFORMANCE SPECIFICATIONS

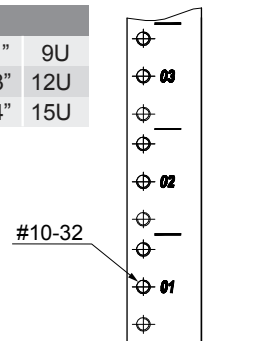
Compliance	ANSI/EIA RS-310D
	IEC60297-2
	DIN41494; PART 1
	DIN41494; PART 7
Material	SPCC cold rolled steel
	16 gauge - rails
	19 gauge - cabinet & doors
Loading Capacity	132 lb static loading

PARTS LIST

10-32 screws w/cushion	48
Plastic washers	48
M4 x 14 mm screws	5
Hinge	2
Keys	2
Guiding element	1
Grounding kit	1
Assembly instructions	1

HEIGHT

RSF09-03981	18.11"	9U
RSF12-03982	23.43"	12U
RSF15-03983	28.54"	15U



19" RAILS

SHIPPING INFORMATION

Item No.	Ctn size (in)	Ctn Weight
RSF09-03981	24.25 x 23.62 x 8.75	44.0 lbs
RSF12-03982	25.00 x 23.62 x 8.75	47.4 lbs
RSF15-03983	30.25 x 25.25 x 8.75	52.7 lbs

NOTE: TECHNICAL SHEETS ARE SUBJECT TO CHANGE WITHOUT NOTICE.