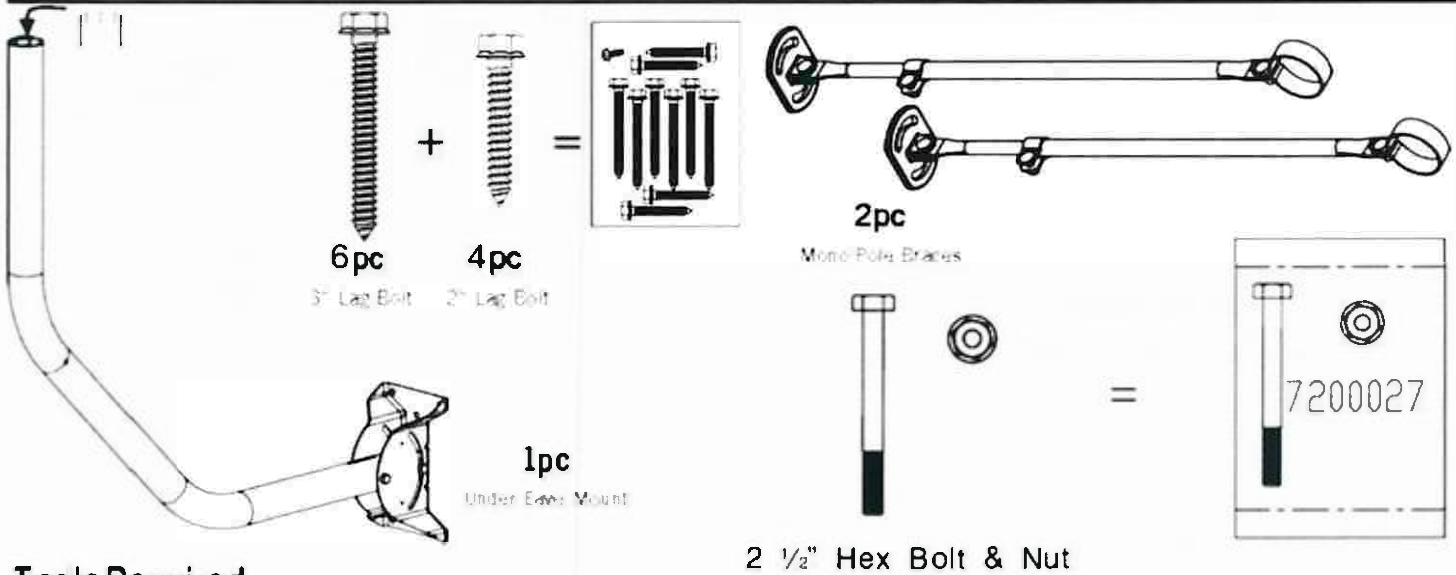


DIRECTV® Under Eave Mount Installation Manual

For DIRECTV Slimline™ SYSTEMS, Model DTVUEM4

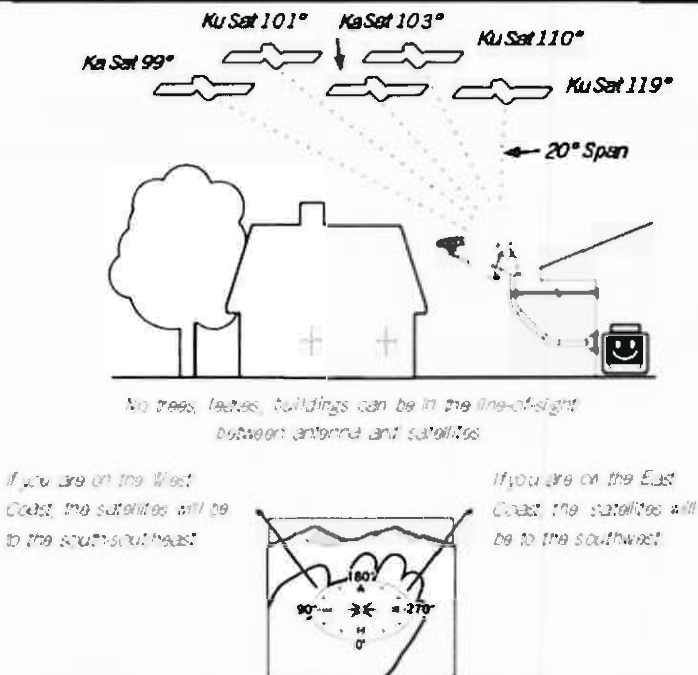
Contents



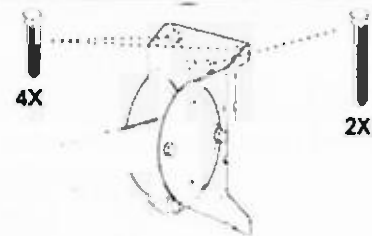
Tools Required



STEP 1 Finding Suitable Mounting Site





STEP 2 Locate Wood Stud, Attach Base



STEP 3 Align the Mast

View of bubble level on top of mast

Wrong 

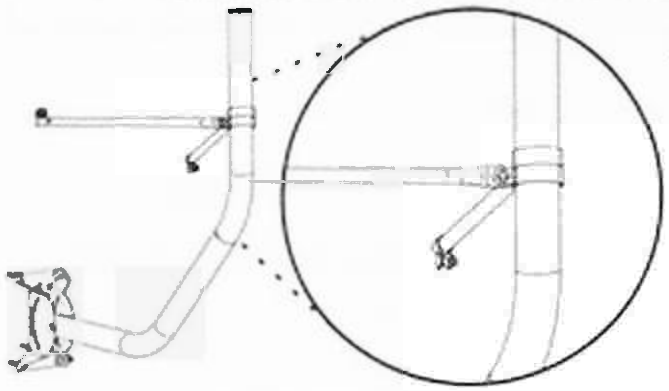
Right 

CAUTION!
If the mast is mounted in a location where it is difficult or dangerous to view the bubble level, use a small mirror or plumbing level instead.
DO NOT reach out and risk falling from roof or other high place.

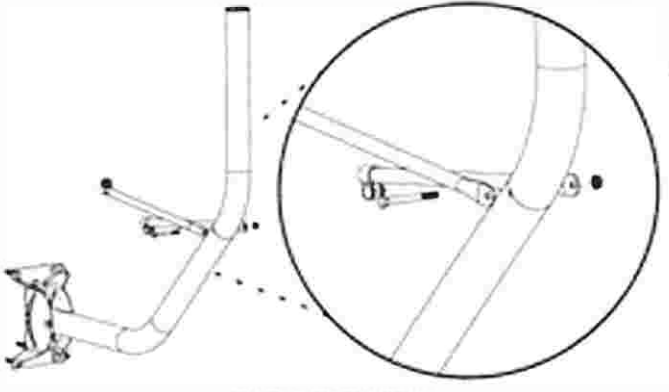
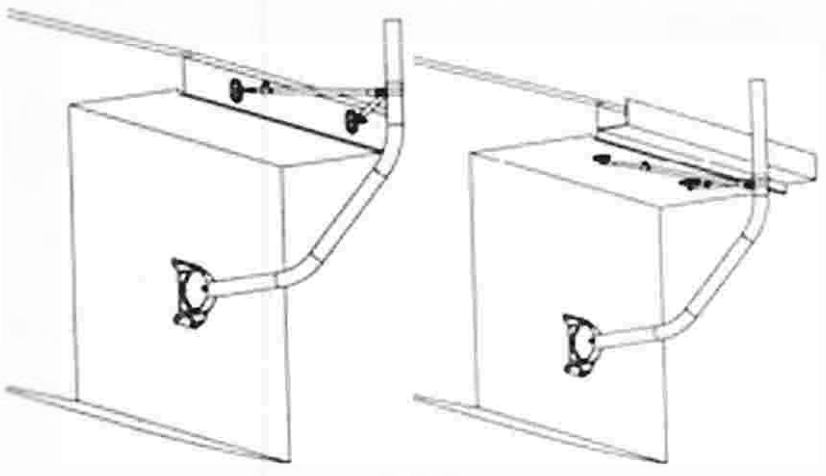
STEP 4

Attach 2 Mono Pole Braces - Mount Braces As High On Mast As Possible

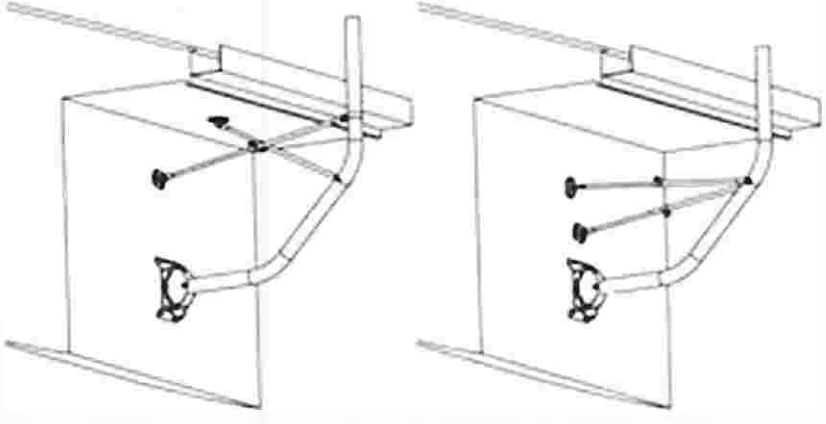
*****BRACES MUST BE USED TO ENSURE SAFETY*****



ABOVE BEND
USE BRACE CLAMPS



BELOW BEND
REMOVE CLAMP(S) AND BOLT END(S) OF
MONO POLE(S) DIRECTLY TO MAST



STEP 5

Mount Slimline™ System onto Under Eave Mast, Proceed with Antenna Alignment

