



ST-IP-MD36-1

ST-IP-MD36-2

HD Mini Network Dome Camera Quick Start Guide



Version 1.0.0

Welcome

Thank you for purchasing our Network camera.

This Quick Start Guide is designed to get your system up and running as easily as possible.

This document applies to both the ST-IP-MD36-1 and ST-IP-MD36-2 camera models (1mp & 2mp).

Please read the following safeguard and warnings carefully before you use this camera.

Please keep this document for future reference.

Important Safeguards and Warnings

1 . Electrical safety

All installation and operation should conform to your local electrical safety codes.

The power shall conform to the requirement in the SELV (Safety Extra Low Voltage) and the Limited power source is rated 12V DC, DC5V or AC24V in the IEC60950-1. (Power supply requirement is subject to the device label).

Please prevent the line cord from being crushed or damaged, especially at the plug, power socket and the junction from the device.

Note: Do not connect a PoE power source AND a power supply to the device at the same time; it may result in device damage.

We assume no liability or responsibility for fires or electrical shock caused by improper handling or installation.

We are not liable for any problems caused by unauthorized modification or attempted repair.

2 . Environment

Don't aim the device at strong light (such as lighting, sunlight and so on) to focus; otherwise it may cause overexposure, which will affect the longevity of the CCD or CMOS imager.

Please transport, use and store the device within the range of allowed humidity and temperature. Don't keep the device in a place which is wet, dusty, extremely hot, and extremely cold and with strong electromagnetic radiation or unstable lighting.

Please do not allow water and other liquids to enter the camera, to prevent the internal components from being damaged.

Please allow adequate ventilation around the camera to prevent heat accumulation.

Please pack the device with the standard factory packaging or material with the same quality when transporting the device.

Avoid bumps and humidity during transportation, storage and installation.

3. Operation and Daily Maintenance

Please do not dismantle the device; Doing so may void your warranty.

It is recommended to use this camera with a surge-protection device.

The grounding holes of the product are recommended to be grounded to further enhance the reliability of the camera.

Do not touch the CCD (CMOS) optic component directly. You can use an air blower to clean the dust or dirt on the lens surface. Please use a dry cloth wetted by alcohol to wipe away the dust gently if it is necessary to clean.

Always use a dry, soft cloth to clean the device. If there is too much dust, please use the water to dilute mild detergent first and then use it to clean the device. Finally use the dry cloth to clean the device. Don't use volatile solvents like alcohol, benzene, thinner etc or strong detergents with abrasiveness, otherwise it will damage the surface coating or reduce the working performance of the device.

The dome cover is an optical device, please don't touch or wipe cover surface directly during installation and use, please refer to the following methods to clean a dirty lens:

Stained with dirt:

Use an oil-free soft brush to gently remove it.

Stained with grease or fingerprints:

Use a soft cloth to wipe the dome gently to dry it, then use oil-free cotton cloth or paper soaked with alcohol or detergent to wipe from the lens center to outward. It is ok to change the cloth and wipe several times to get all of the dirt off.

Warning

Please use the standard accessories provided by SecurityTronix and make sure the device is installed and repaired by professional engineers.

Please do not provide two or more power supply modes for the device, otherwise it may cause damage to the device.

Statement

Please refer to the actual product for more details; this manual is just for reference.

Please contact the supplier or customer service if there is any problem occurred when using the device.

Please contact the customer service for the latest procedure and supplementary documentation.

There may be deviation between the actual value of some data and the value provided in the manual due to the reasons such as the real environment is not stable and so on. Please refer to the company's final explanation if there is any doubt or dispute.

The company is not liable for any loss caused by operation which is inconsistent with the instructions in the manual.

Note:

Please refer to the disk for more details. Check and download corresponding user's manuals and tools from the SecurityTronix website: <http://www.securitytronix.com/support/>

Before installation, please open the package and ensure all the components are included. Contact your local retailer ASAP if something is broken in your package.

Accessory Name	Amount
Network Camera Unit	1
Installation Accessories bag	1
Quick Start Guide	1
CD	1

Table of Contents

1	Framework.....	5
1.1	Structure	5
1.2	Dimensions.....	6
2	Installation	8
2.1	Device Installation	8
2.2	Micro SD Card Installation	9
3	Network Configuration	11
3.1	Modify IP Address	11
3.2	Login WEB Interface	12

1 Physical Properties

1.1 Structure

Note:

The following diagram is for reference only, to illustrate the device component and cable port functions.

Device component and cable port function may differ according to different models, please refer to the actual device for details.

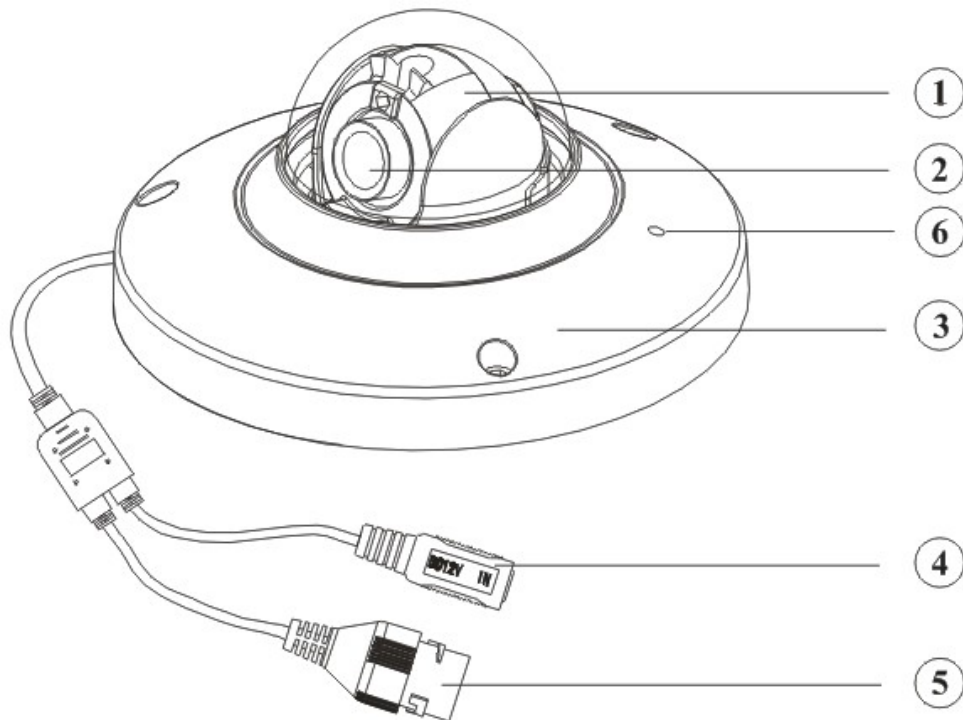


Figure 1-1

Please refer to the following sheet for detailed structure information.

Component	Component name
1	X-Y-Z rotation module
2	Device lens
3	Dome camera enclosure

Please refer to the following sheet for detailed port information.

Port	Port name	Function
4	Power input port	Connect to a 12VDC power supply

5	Network port	Network data input, output and PoE. Note: ● Some devices do not support PoE.
6	MIC hole	Audio input

1.2 Dimensions

Please refer to the following figure for the dimension information. Dimensions are listed in millimeters. See Figure 1-1 through Figure 1-3.

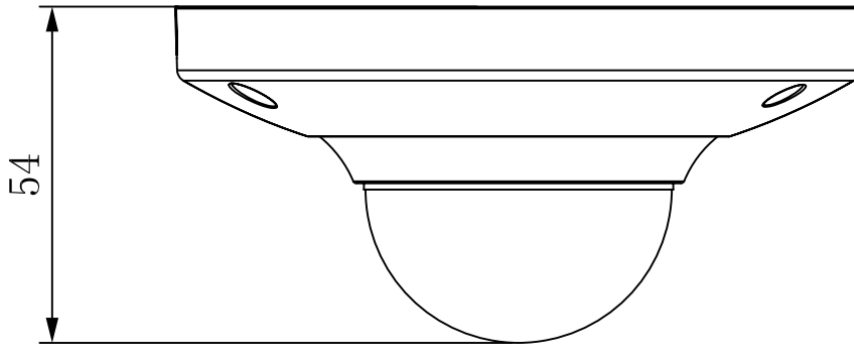


Figure 1-1 Dimension illustration 1

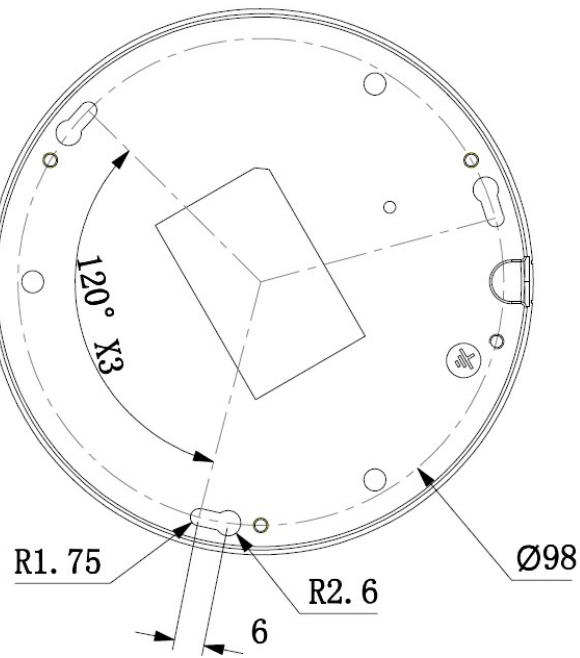


Figure 1-2 Dimension illustration 2

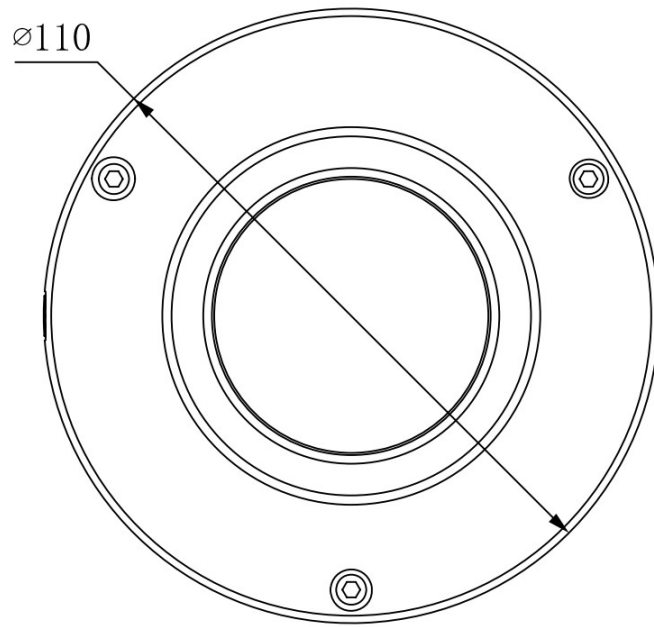


Figure 1-3 Dimension illustration 3

2 Installation

2.1 Device Installation

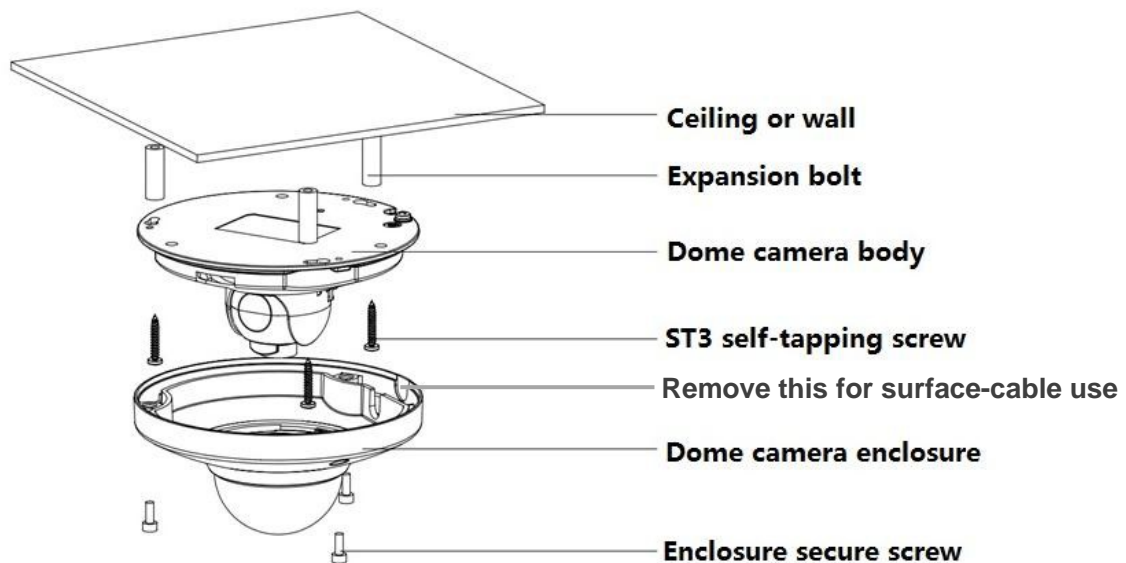


Figure 2-1 Device installation illustration 1

Important

Please make sure the installation surface can support at least 3 times the weight of the camera and the bracket.

Please refer to the steps listed below.

Step 1

Use the inner hexagonal wrench (provided) to loosen the three inner hexagon screws in the outer dome cover and then remove the cover.

Step 2

Locate the installation template in the accessories bag, and affix it to the ceiling or wall according to your monitor area requirements.

Step 3

Drill 3 holes, 3/16" diameter as indicated at the marks on the template. Remove the template and insert the 3 included plastic expansion anchors in the holes.

Note:

- If the cable must exit behind the installation surface (behind a wall or inside the ceiling), Drill a 3/4" cable exit hole in the mounting surface according to the installation template.
- If the cable must exit the camera on the surface of the wall or ceiling, use a strong needle-nose plier or similar tool to pry out and remove the thin metal of the camera's outer shell, as shown in Figure 2-1 above; "Remove this for surface-cable use".

Step 4

Adjust the base of the camera to the proper position and then pull the cable through the cable exit hole drilled earlier in the ceiling or wall. Line up the TOP direction of the device to the installation template and then line up the three screw holes in the camera's base to the three plastic anchors in the mounting surface. Install the three self-tapping screws firmly into the anchors.

Step 5

Use the 'inner hexagonal wrench' to loosen the two screws which secure the lens rotation structure **NOTE: Do not remove these screws. Only loosen them enough for the camera housing to move freely to the correct viewing position.** Adjust the lens to the required viewing angle, then secure the screws of the lens rotation structure. The lens adjust angle ranges are: flip ($0^{\circ}\sim+75^{\circ}$), video pan rotation ($-15^{\circ}\sim+15^{\circ}$), video rotation angle ($-15^{\circ}\sim+15^{\circ}$).

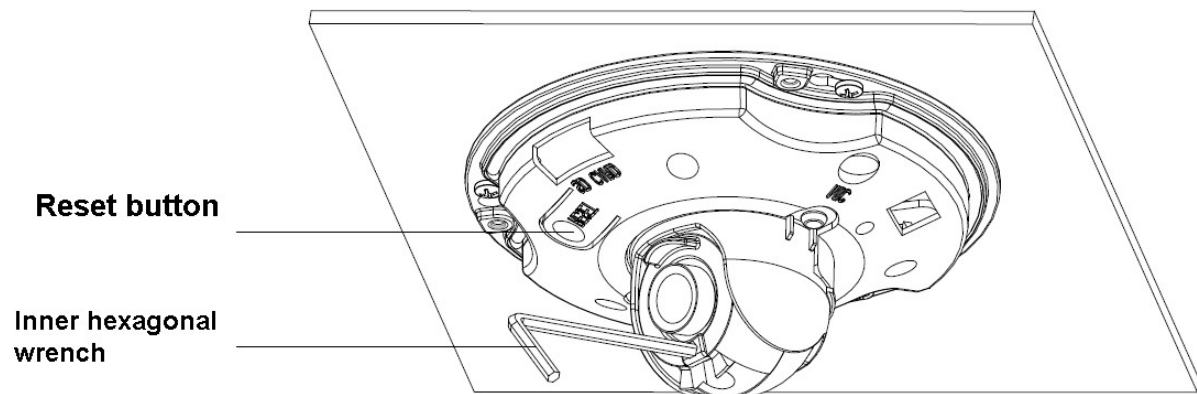


Figure 2-2 Device installation illustration 2

Step 6

Line up the dome camera cover to the cable exits and reinstall the cover. Use the inner hexagonal wrench to secure the three inner hexagonal screws firmly.

Note:

If you want to restore the factory default settings of the camera, remove the outer cover and press and hold the Reset button in Figure 2-2 with power on for 10s.

2.2 Micro SD Card Installation

Note:

This model of camera does not support Micro SD card functions.

Step 1

Open the camera by referring to step 1 in chapter 2.1 device installation.

Step 2

Find the "Micro SD CARD" mark on the inner cover, adjust the direction of Micro SD card and complete installation according to the location shown in the Figure 3-3.

Step 3

Please complete the operation by referring to step 6 in chapter 2.1 device installation.

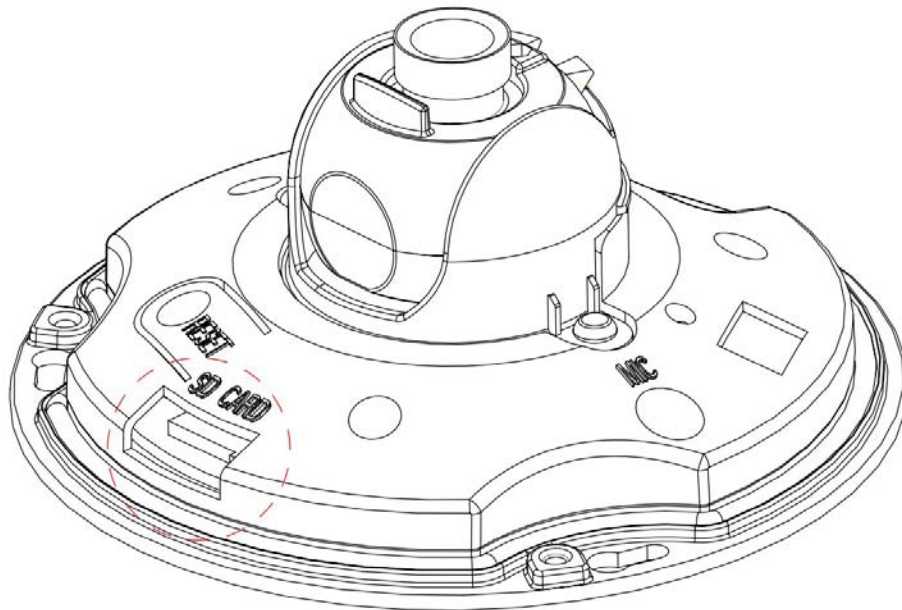


Figure 2-3

3 Network Configuration

The IP address of each camera is the same when leaving the SecurityTronix factory (default IP192.168.1.108). For the smoothest project installation, please allocate a useable IP segment of the entire network according to the actual network environment.

3.1 Modify IP Address

IP address can be acquired and modified through the quick configuration tool for the cameras which is accessed via a wired network; Cameras must connect via a wired network to configure wireless parameters before using wireless network cameras. This chapter will introduce the approach of modifying IP addresses via the “Quick Configuration Tool”. You can also modify the IP address in the network parameters of the WEB interface. Please refer to the document in the disk << WEB Operation Manual>> for more details.

NOTE:

Currently the quick configuration tool only supports cameras which are addressed within the same network segment (subnet) as the computer’s IP address.

Step 1 Double click the “ConfigTools.exe” and open the quick configuration tool.

Step 2 Double click the device to be configured, and the “Login” dialog box will appear. Enter the IP address, user name, password and port number of the camera, and click “Confirm”.

Note:

The default user name and password are admin and admin respectively. The default port number is 37777. See Figure 3-1 for more details.

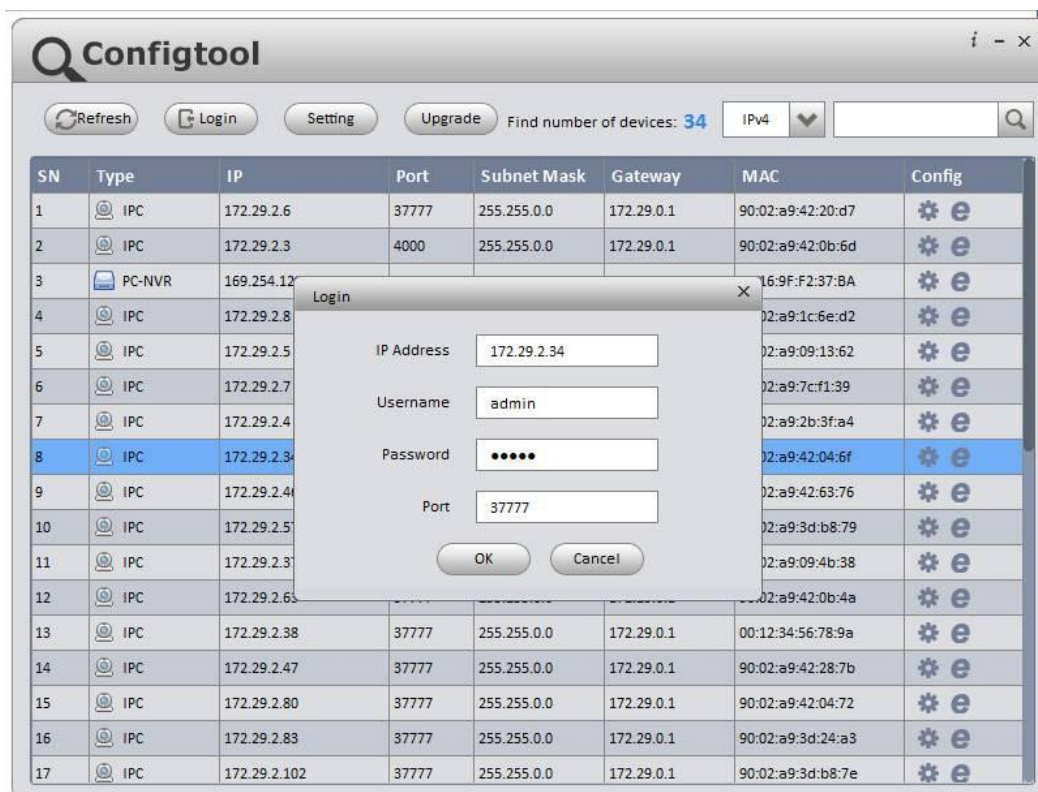


Figure 3-1

Step 3 Modify the camera IP address on the “Net” interface, click “Save” to finish modification.

See Figure 3-2 for more details.

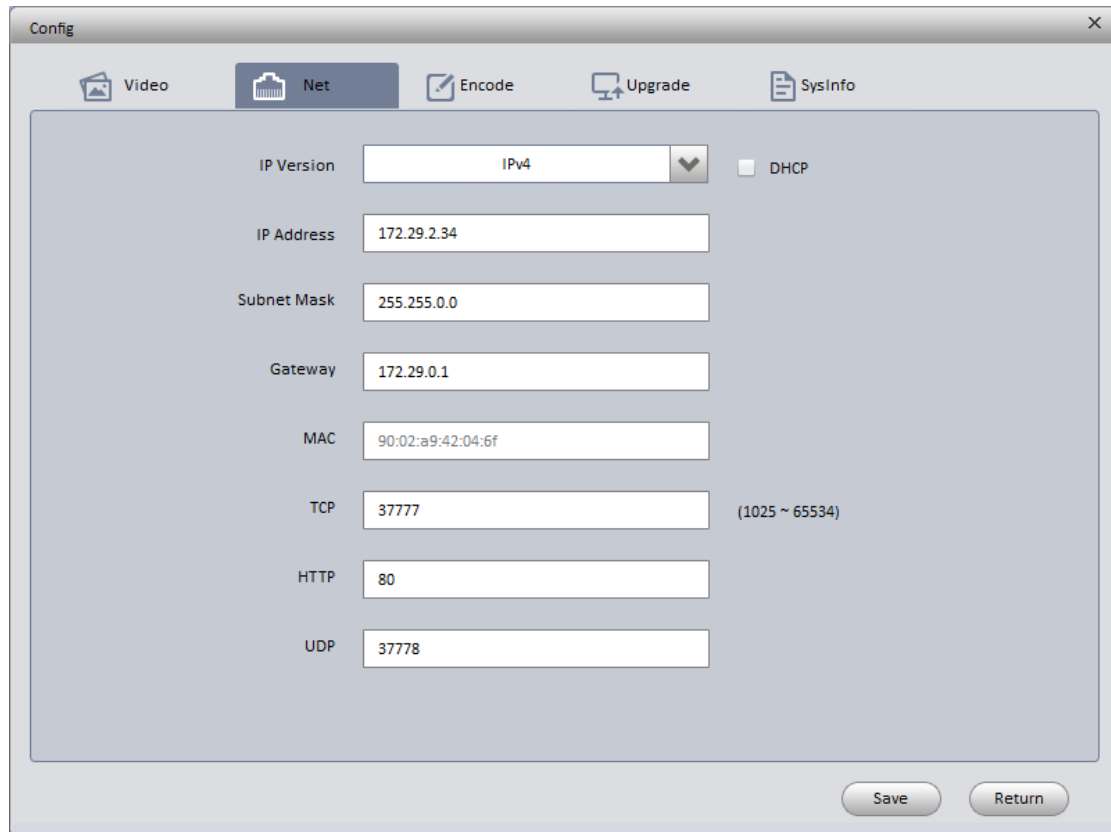


Figure 3-2

3.2 Login WEB Interface

Note:

Different devices may have different WEB interfaces, the figures below are just for reference, please refer to the document <<WEB Operation Manual>> in the disk and the actual interface for more details

Step 1 Open IE and input the modified camera IP address in the address bar.

Step 2 The login interface is shown below, please input your user name and password (Default user name is admin and password is admin respectively), click “login”.

See Figure 3-3 for more details.



Figure 3-3

Step 3 Install controls according to the system prompt; see Figure 3-4 for the WEB main interface. Please modify the administrator password as soon as possible after you successfully logged in.

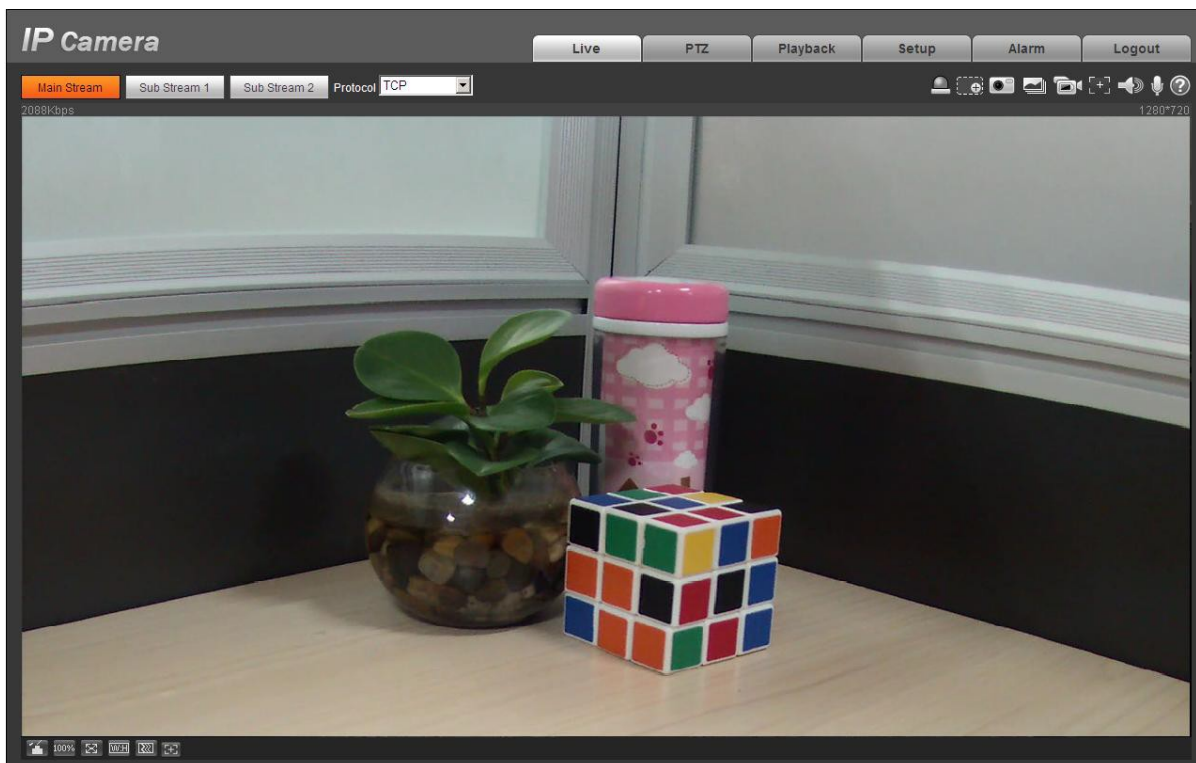


Figure 3-4

Note

- **This quick start guide is for reference only. Slight difference may be found in the user interface.**
- **All the designs and software here are subject to change without prior written notice.**
- **Please visit our website or contact your local service engineer for more information.**

SecurityTronix offers live, human tech support for our products 24 hours a day, 7 days a week, 365 day a year.

Technical support contact info:

Phone: (610) 688-9282 Option #3, then #2

Email: support@securitytronix.com

Web: www.securitytronix.com/support

SecurityTronix

1085 Andrew Dr. Ste A

West Chester, PA 19380