

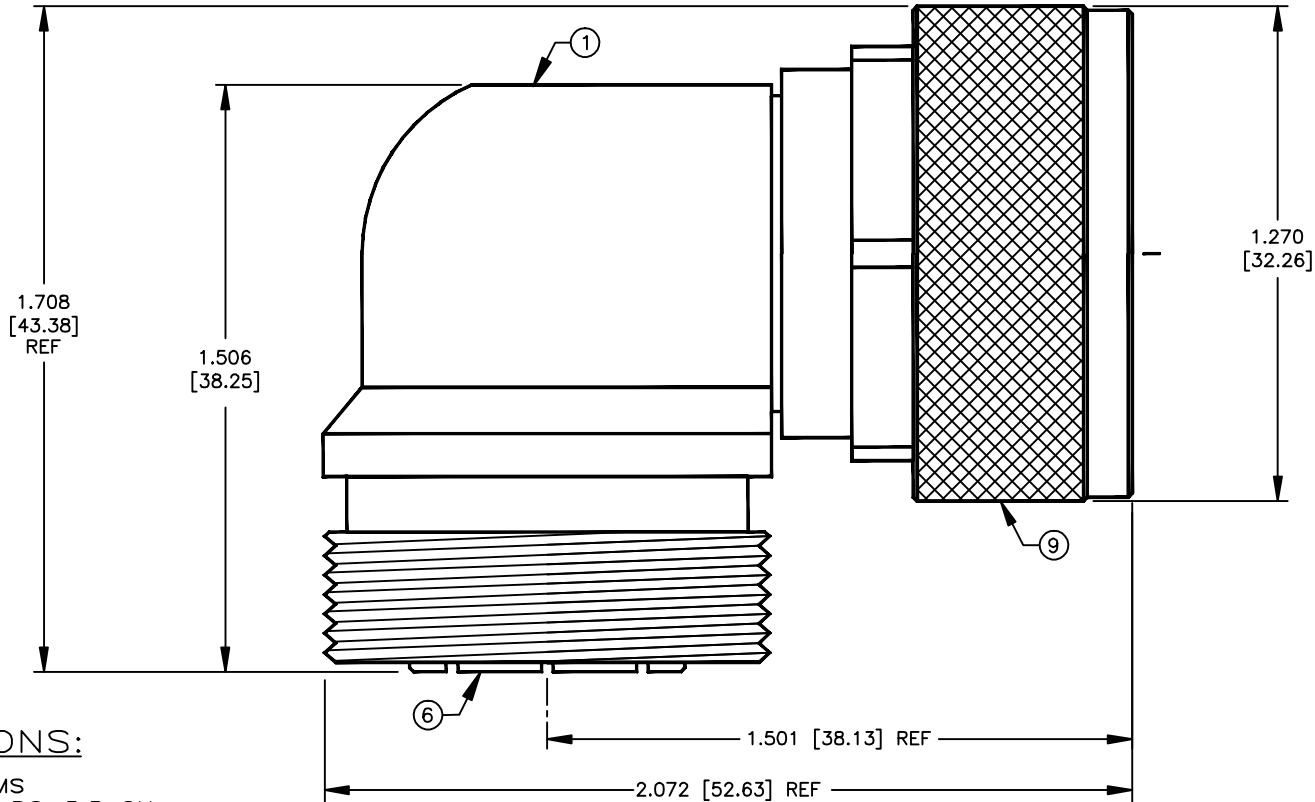
SPECIFICATION CONTROL DRAWING

THIS DRAWING CONTAINS INFORMATION PROPRIETARY TO RF INDUSTRIES, LTD. ANY UNAUTHORIZED USE OF THIS DRAWING IS EXPRESSLY PROHIBITED. ANY VIOLATION IS PUNISHABLE UNDER U.S. COPYRIGHT LAWS.

REV	DESCRIPTION	DWN	DATE	APPROVED
A	ENGINEERING RELEASE	KMM	-	R. RICE
B	ENGINEERING RELEASE	KMM	3/12/97	R. RICE
C	CHANGE PART #'S CALL OUT	CZS	9/9/98	R. RICE

ALL DIMENSIONS ARE REFERENCE ONLY

000000



SPECIFICATIONS:

IMPEDANCE: 50 OHMS
 FREQUENCY RANGE: DC-5.5 GHz
 INSERTION LOSS: $-0.01 \text{ dB} \sqrt{\text{FREQUENCY GHz}}$
 VSWR: $<1.10:1$ @ DC-5.5 GHz
 3rd ORDER IM $-d_{Bc}$: $> -150 \text{ dBc}$

ITEM	DESCRIPTION	PART NUMBER	QTY	MATERIAL	FINISH
9	SHELL	012-16M0001BE	1	BRASS	SILVER
8	O RING	GSO-211	1	S.I. RUBBER	RED
7	GROUND RING	014-16M0001BE	1	BRASS	SILVER
6	GROUND RING	014-16F0001CE	1	BeCu	SILVER
5	DIELECTRIC	010-16X0001TX	2	PTFE	NONE
4	CONTACT SHAFT	013-16X0005BE	1	BRASS	SILVER
3	PIN	009-16M0001BE	1	BRASS	SILVER
2	CONTACT	008-16F0001CE	1	BeCu	SILVER
1	BODY	001-16F0003BE	1	BRASS	SILVER

DIMENSIONS ARE IN INCHES AND [MILLIMETERS]

UNLESS OTHERWISE NOTED TOLERANCES ARE:
 DECIMALS DIAMETER

DRAWN C. ZUNIGA	9/9/98
CHECKED	
ORJ DRAWN K. MAXWELL	3/12/97
APPROVALS	DATE

RFconnectors
 DIVISION OF RF INDUSTRIES, LTD.

RFD-1652-2

7-16 DIN FEMALE TO 7-16 DIN MALE R/A ADAPTER

SIZE A	CABLE GROUP N/A	DWG NO. 8554	REV C
-----------	--------------------	-----------------	----------

SCALE: 2:1 CAD FILE 13ARC B SHEET 1 OF 1