

WB-K110-B

Safety Grated Waveguide Bridge Kit, 12 in x 10 ft, with two 13 ft 4 in direct burial posts

Dimensions

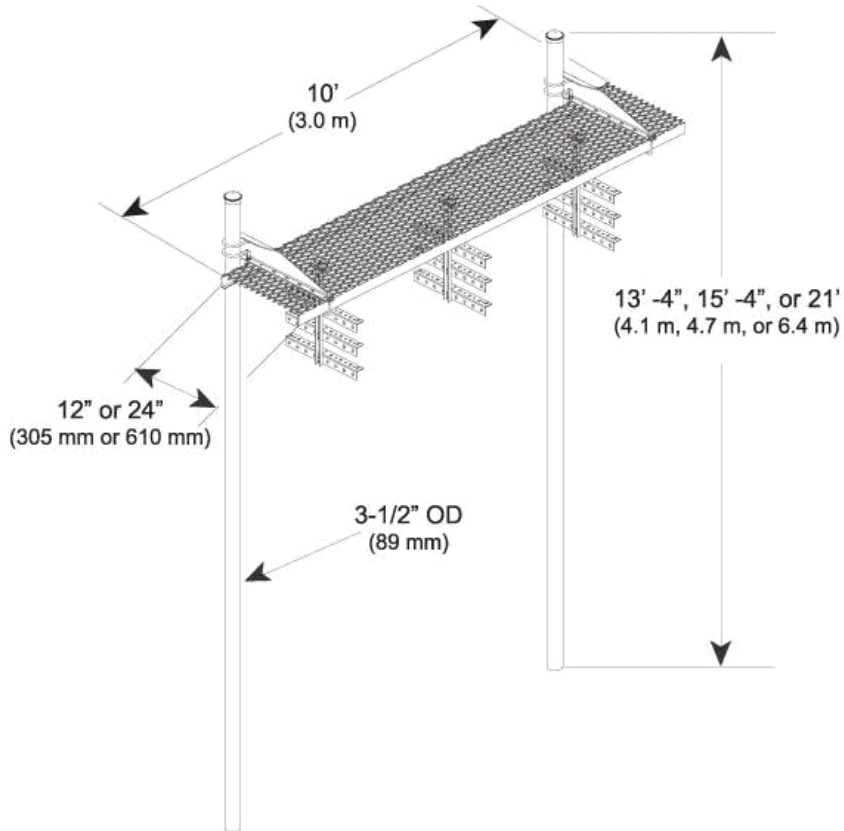
Width	304.8 mm 12.0 in
Height	4064.0 mm 160.0 in
Length	3.0 m 10.0 ft
Weight	147.4 kg 325.0 lb

General Specifications

Product Type	Waveguide bridge kit
Application	Direct burial
Cable Runs, quantity	12
Includes	Caps Channel Hardware Posts Support brackets Trapeze
Material Type	Hot dip galvanized steel
Package Quantity	1
Pipe Length	4.1 m 13.3 ft
Pipe, quantity	2

WB-K110-B

Outline Drawing



Regulatory Compliance/Certifications

Agency	Classification
ISO 9001:2008	Designed, manufactured and/or distributed under this quality management system

Included Products

- WB-T12-3 — Trapeze Kit, triple tee, 12 in wide, three rungs
- WB-LB12-3 — Waveguide Bridge Support Bracket, 12 in wide for 3-1/2 in OD legs
- MF-130 — Direct Burial Pipe Column, 13 ft 4 in
- WB-CY110 — Safety Grated Waveguide Bridge Channel, 12 in x 10 ft