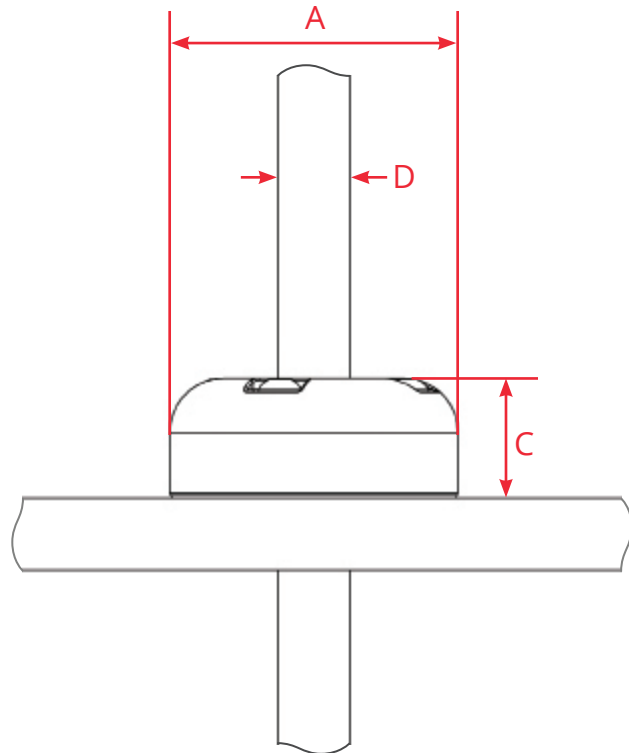
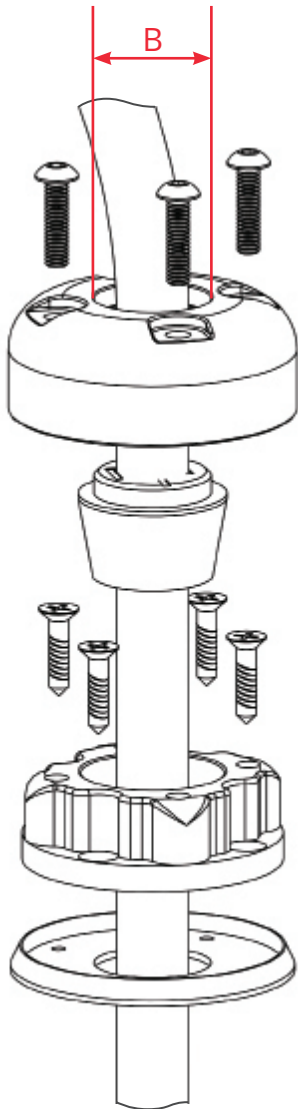


SEAVIEW

CABLE GLAND DIMENSIONS



Part #	A inches / mm	B inches / mm	C inches / mm	D* inches / mm
CG20P-G	2 / 51	0.81 / 20	0.813 / 20.7	.53 / 13.5
CG20S-B	2 / 51	0.81 / 20	0.813 / 20.7	.53 / 13.5
CG20-SS	2 / 51	0.81 / 20	0.813 / 20.7	.53 / 13.5
CG30P-G	2.53 / 64.3	1.38 / 35	0.813 / 20.7	1.08 / 27.5
CG30-B	2.53 / 64.3	1.38 / 35	0.813 / 20.7	1.08 / 27.5
CG30-SS	2.53 / 64.3	1.38 / 35	0.813 / 20.7	1.08 / 27.5

* Max cable diameter

Note, you can use multiple cables for any Seaview cable gland as long as each cable has its own hole and .125" (3.18mm) of rubber around each hole.

SEAVIEW

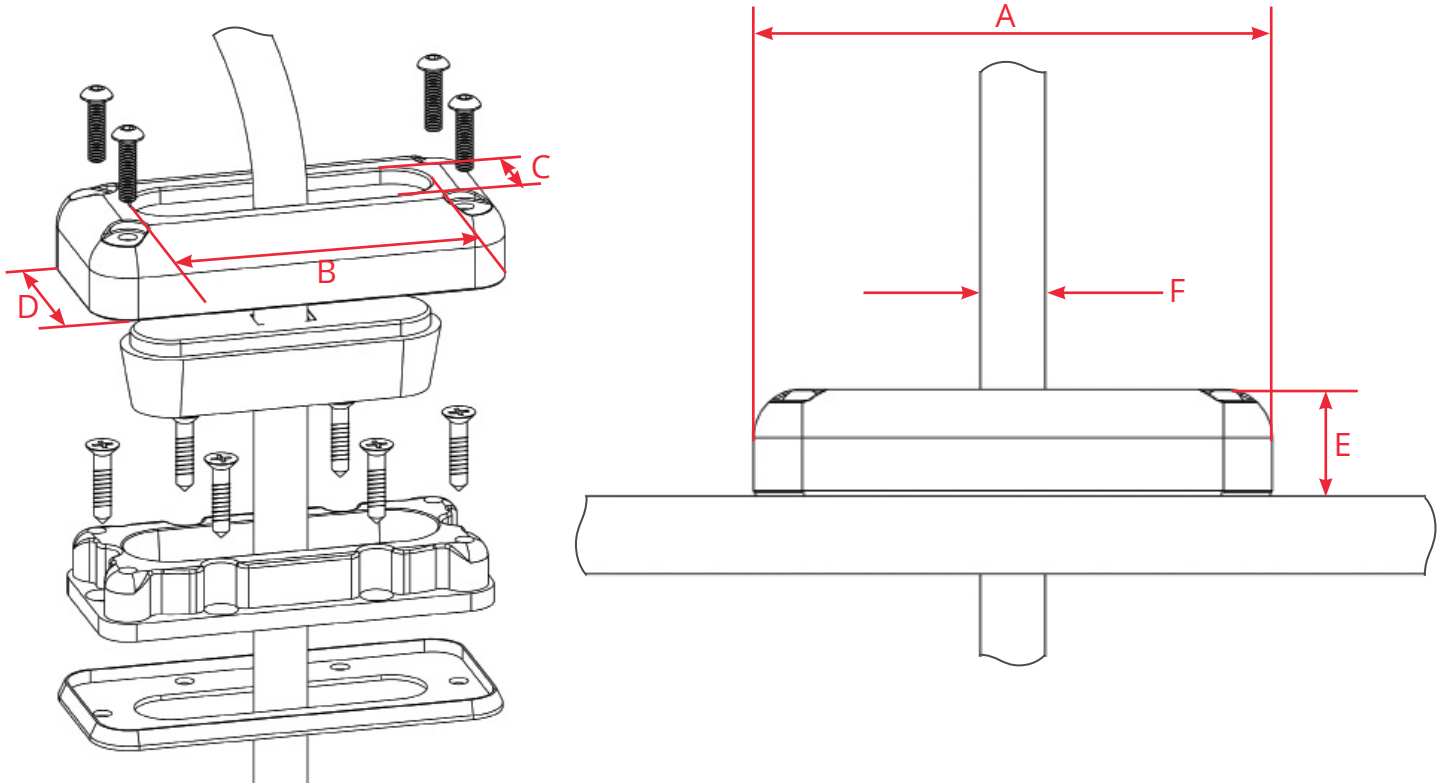
Tel: 800-655-7922
www.seaviewglobal.com

EUROPEAN OFFICE

Tel: +33 4 94 53 27 70
www.seaviewprogress.com

SEAVIEW

CABLE GLAND DIMENSIONS



Part #	A inches / mm	B inches / mm	C inches / mm	D inches / mm	E inches / mm	F* inches / mm
CGM17P-G	4 / 102	2.875 / 73	0.67 / 17	1.88 / 47.75	0.8 / 20.32	.5 / 12.7
CGM17S-B	4 / 102	2.875 / 73	0.67 / 17	1.88 / 47.75	0.8 / 20.32	.5 / 12.7
CGM17-SS	4 / 102	2.875 / 73	0.67 / 17	1.88 / 47.75	0.8 / 20.32	.5 / 12.7

* Max cable diameter

Note, you can use multiple cables for any Seaview cable gland as long as each cable has its own hole and .125" (3.18mm) of rubber around each hole.