



Smarter, *Smaller* HD Video
Distribution over Coax



NEW **Zvpro** SERIES



ZeeVee Quick Start Guide

ZvPro820 | ZvPro810 | ZvPro620 | ZvPro610



Welcome to ZeeVee!

All ZeeVee products convert your video source to a digital TV channel and broadcast it over coax to all your HDTVs. This guide walks you through basic setup for the ZvPro Series modulators. If you run into any problems during installation, refer to the Support page on www.zeevee.com or feel free to contact your distributor for help.

INSTRUCTIONS PERTAINING TO A RISK OF FIRE, ELECTRIC SHOCK, OR INJURY TO PERSONS

Important Safety Instructions. Save These Instructions.

WARNING: When using electronic products, basic precautions should always be followed, including:

1. Keep these instructions.
2. Heed all warnings.
3. Follow all instructions.
4. Do not use this apparatus near water.
5. Clean only with dry cloth.
6. Do not block any ventilation openings. Install in accordance with the manufacturer's instructions.
7. Do not install near any heat sources such as radiators, heat registers, stoves, or other apparatus (including amplifiers) that produce heat.
8. Do not defeat the safety purpose of the polarized or grounding-type plug. A polarized plug has two blades with one wider than the other. A grounding type plug has two blades and a third grounding prong. The wide blade or the third prong is provided for your safety. If the provided plug does not fit into your outlet, consult an electrician for replacement of the obsolete outlet.
9. Power cord must be accessible to allow for the removal of power from the unit.
10. Protect the power cord from being walked on or pinched, particularly at plugs, convenience receptacles, and the point where they exit from the apparatus.
11. Unplug the apparatus during lightning storms or when unused for long periods of time.
12. Only use attachments/accessories specified by the manufacturer.
13. Refer all servicing to qualified service personnel. Servicing is required when the apparatus has been damaged in any way, such as power-supply cord or plug is damaged, liquid has been spilled or objects have fallen into the apparatus, the apparatus has been exposed to rain or moisture, does not operate normally, or has been dropped.
14. **WARNING:** To reduce the risk of fire or electric shock do not place this apparatus in a position where it is exposed to dripping or splashing liquids, rain, moisture, or excessively high humidity. Objects containing liquid shall not be placed in proximity to the unit such that they present a risk of spillage onto the apparatus.



The lightning flash with arrowhead symbol, within an equilateral triangle, is intended to alert the user to the presence of uninsulated "dangerous voltage" within the product's enclosure that may be of sufficient magnitude to constitute a risk to persons.



The exclamation point within an equilateral triangle is intended to alert the user to the presence of important operating and maintenance (servicing) instructions in the literature accompanying the product.

FCC Statement

FCC Compliance and Advisory Statement: This hardware device complies with Part 15 of the FCC rules. Operation is subject to the following two conditions: 1) this device may not cause harmful interference, and 2) this device must accept any interference received including interference that may cause undesired operation. This equipment has been tested and found to comply with the limits for a Class A digital device, pursuant to Part 15 of the FCC Rules. These limits are designed to provide reasonable protection against harmful interference in a commercial installation. This equipment generates, uses, and can radiate radio frequency energy and, if not installed or used in accordance with the instructions, may cause harmful interference to radio communications. However there is no guarantee that interference will not occur in a particular installation. If this equipment does cause harmful interference to radio or television reception, which can be determined by turning the equipment off and on, the user is encouraged to try to correct the interference by one or more of the following measures: 1) reorient or relocate the receiving antenna; 2) increase the separation between the equipment and the receiver; 3) connect the equipment to an outlet on a circuit different from that to which the receiver is connected; 4) consult the dealer or an experienced radio/TV technician for help. Any changes or modifications not expressly approved by the party responsible for compliance could void the user's authority to operate the equipment. Where shielded interface cables have been provided with the product or specified additional components or accessories elsewhere defined to be used with the installation of the product, they must be used in order to ensure compliance with FCC regulations.

TABLE OF CONTENTS

Contents & Safety	2-3
Product Details	4
Basic Installation	5
Configuration.....	6
General Information	
Warranty & Contact Information	8
Declaration of Conformity.....	8

For instructions in French, German, Italian, Spanish, and Russian, visit our website:

<http://www.zeevee.com/support/>

What's in the box:



ZeeVee Modulator



Power Supply and Adaptor



Quick Start Guide

Sold Separately:



Hydra AV Cable



VGA/DIN Cable



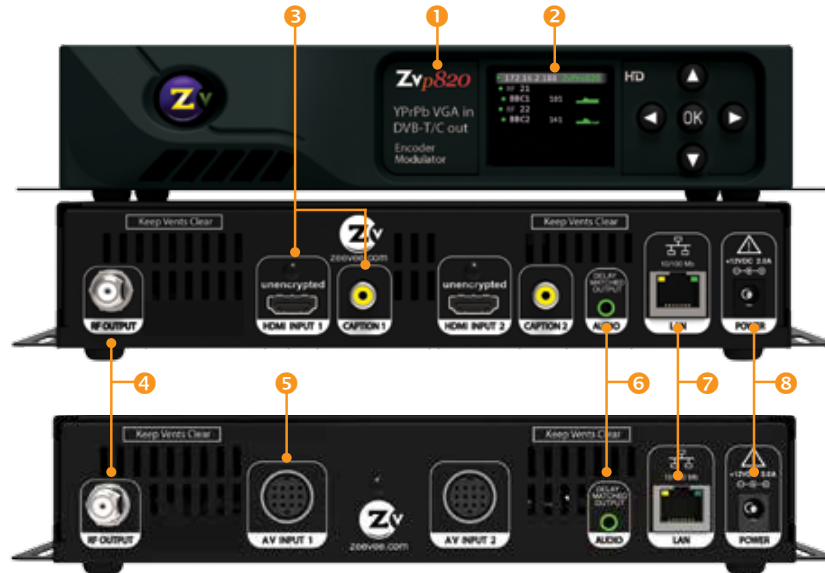
HDMI Cable



Rack Mount Kit

ZvPro Details

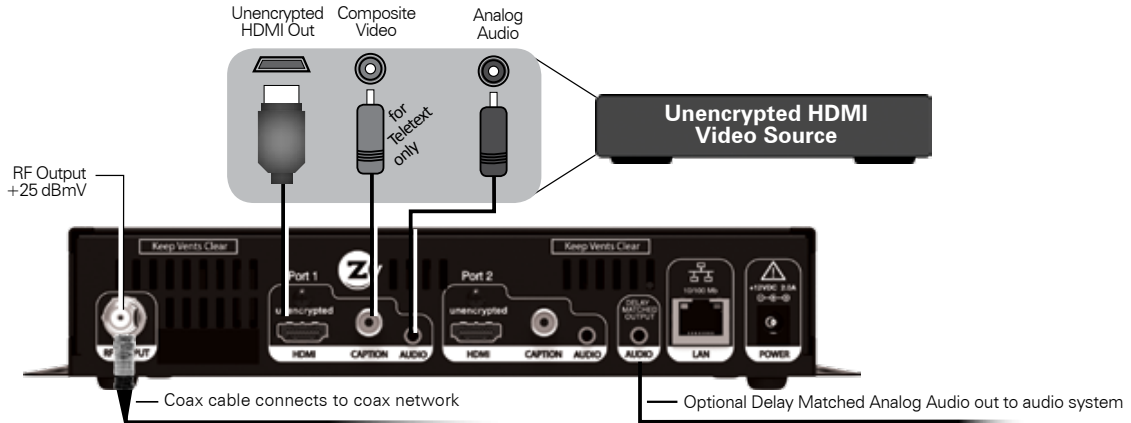
ZvPro Front and Back Panels



1	Model Number	Name and description of the unit.
2	Color Display	Displays configuration and system status.
3	Audio/Video Inputs ZvPro820 ZvPro810	Digital Audio/Video: Unencrypted HDMI Teletext: Composite Analog Audio: 3.5mm Audio
4	Coax Output Default Power +25dBmV	Up to 2 paired, frequency-agile DVB-T/C RF CATV output channels for up to 2 video sources. Output power can be set between +25 to +45 dBmV using the Maestro web interface.
5	Audio/Video Inputs ZvPro620 ZvPro610	Video: Component Audio: Analog, Digital Teletext: Composite Video
6	Delay Matched Audio	For matching audio to external audio system (first port only, requires analog audio as input).
7	10/100 LAN Port	Configuration and remote management
8	A/C Power Input	100-240VAC / 50-60Hz



Zvpro820 Zvpro810



Factory default settings in the product allow ZvPro Series modulators to broadcast up to two unencrypted HDMI sources on RF channels 21 and 22 for reception at connected HDTVs.

1. Connect the power supply.
2. Using an HDMI cable, connect the video source to the HDMI Input port on the ZvPro.
3. For Teletext, connect a composite cable from the video source to the Caption port on the ZvPro.
4. Connect the RF Output of the ZvPro to your RF network. Default output power can be changed using the front panel or Maestro, the web-based configuration utility.

Default output power of the ZvPro is +25dBmV.

5. Set the RF input on the TV to DVB-T.
6. Tune HDTVs to cable channels (see Table 1).
7. Optional: Use a 3.5mm Analog Audio cable with Delay Matched Audio to send delayed audio from first port to an external audio system. Requires analog audio as input. Configure delay via Maestro advanced options or front panel.

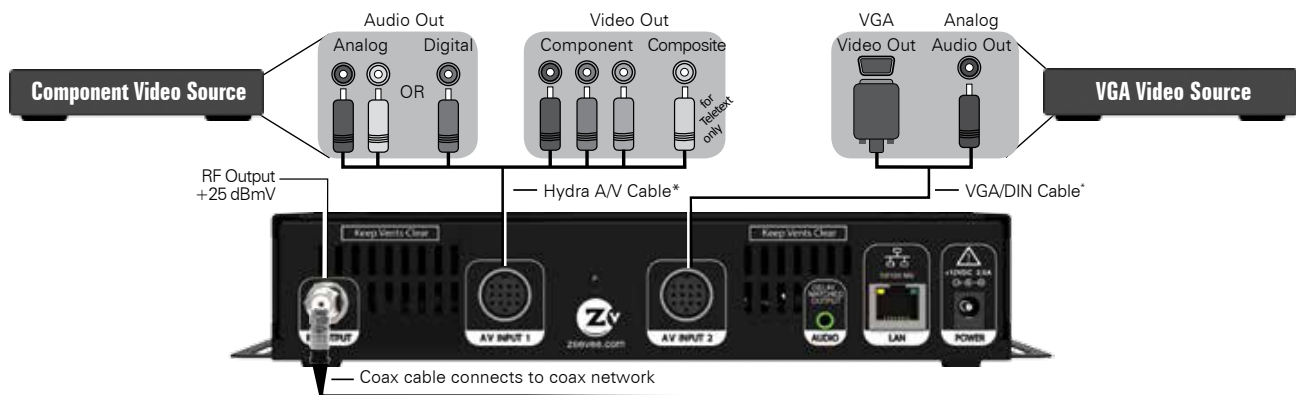
Network ID: 12338 (factory default)

NOTE: Many TVs require a full channel scan to find the channels.

Table 1

DVB-T Factory Defaults		
	Ch. 21 (474 MHz)	Ch. 22 (482 MHz)
Logical Channel #	1	2

Zvpro620 Zvpro610



Factory default settings in the product allow ZvPro Series modulators to broadcast up to 2 HD sources for reception at connected HDTVs.

1. Apply power.
2. Connect the Component (Red/Green/Blue) Video connectors on the AV Cable to the corresponding Video Outputs on your video source. Use the Composite (Yellow) connector for teletext only.
3. Connect either the Digital (Orange) or Analog (Red/White) Audio connectors on the AV Cable to the Audio Outputs on your video source.
4. Connect the Coax Output of the ZvPro to your RF network.
5. Set the RF input on the TVs to DVB-T.
6. Tune HDTVs to the TV channels in Table 1.

Network ID: 12338 (factory default)

NOTE: Many TVs require a full channel scan to find the channels.

*A/V cables are sold separately and can be purchased from your distributor.

See the Configuration section for instructions on changing the settings.



Configuration

Front Panel Configuration

ZeeVee modulators typically only require setting the RF channels. This can be done using the Front Panel controls.



1. Unlock the panel by pressing / holding together the ◀▶ arrow buttons until "Setup" lights up. Press "OK" to enter the Configuration screen.
2. Use the the arrow buttons (▲▼◀▶) to go to each item you want to configure (such as RF Number or RF Power), then press "OK" to edit the highlighted field.
Use the ▲▼ arrow buttons to scroll through the options for that field.
3. Once you've made changes, press "OK" to accept them. You can then select the next item for configuration.
4. When finished making changes, use the arrow buttons (▲▼◀▶) to scroll down to select "Apply," then click "OK" to save your changes.

Note: The front panel locks automatically after a few seconds. To make more changes, press/hold the ◀▶ buttons again to re-enter the setup screen.

5. Optional: If using the delay matched audio output, select audio delay and use ▲▼ to increase or decrease latency of audio to match video at the TV. The delay will change in real time, but you must click Apply to save the changes.

Go to the Advanced Configuration section for more complex settings.



Setup Screen



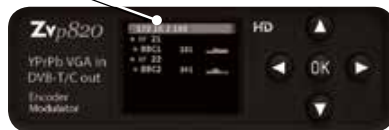
Configuration Screen



Active Configuration Screen

When other changes are required, the web-based interface (Maestro) should be used.

1. Connect your computer directly to the ZeeVee modulator using a standard Ethernet cable (cross-over cable not required), or connect the unit to any LAN that has a DHCP server.
NOTE: Macs will require connection via Switch or LAN, they will not support direct-connect to the Ethernet port.
2. After a few moments, an IP address will appear at the top of the front panel display.



3. Using any web browser (Chrome or Firefox preferred), go to the IP address to launch Maestro, the configuration tool.
4. You will be directed to a login page:

User Name: admin
Default Password: admin

The User Name will always be "admin." The default password is "admin" but it can be changed in the configuration tool.

NOTE: Login is case-sensitive.

5. Tabs across the top allow for different configuration actions.

Click on "Channel Plan" to set the RF number, channel names, video source, etc.

NOTE: RF numbers are entered in pairs based on frequency.

6. Click "Apply" to save your changes. Settings are stored in the unit and not lost on power-down.

Visit www.zeevee.com/support for additional help and troubleshooting.

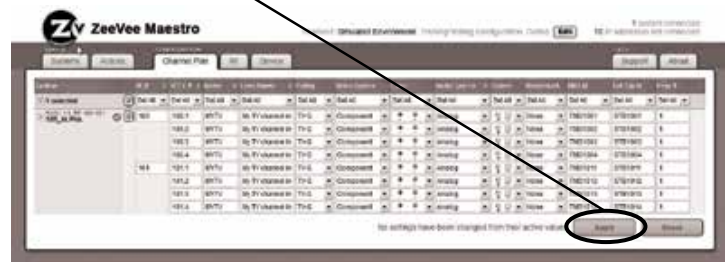


Maestro Login Screen



Maestro Status Screen

Click **Apply** to save your changes.



Maestro Channel Plan Screen





Contact and Warranty

Contact ZeeVee

For support, repairs and warranty service, contact the distributor where you purchased the product. For additional questions, call +1 877-4ZEEVEE (+1-877-493-3833).

Warranty

Limited Two Year Warranty

ZeeVee warrants your ZvPro Series Modulator (MODEL NUMBERS ZVP820-EU, ZVP810-EU, ZVP620-EU, ZVP610-EU) against defects in materials and workmanship for a period of two years from the date of purchase.

Visit www.zeevee.com for complete warranty details.

To Get Warranty Service

Warranty service will be provided by ZeeVee through our Distribution partner(s) in the country of purchase. If you believe you need service for your ZvPro Series Modulator (MODEL NUMBERS ZVP820-EU, ZVP810-EU, ZVP620-EU, ZVP610-EU), please contact your local distributor where you purchased the product.

If it is determined that the product needs to be returned for service or exchange, you will receive a Return Material Authorization ("RMA") number. Your distributor will help you through the process through which you can return the product. ZeeVee is not responsible for Customer products received without an RMA number and may reject such products.

If your distributor is unable to resolve your concerns, you may also contact ZeeVee directly by email at Support@ZeeVee.com or by calling ZeeVee Support at +1 877.493.3833.

To Get Out-Of-Warranty Service

To obtain out-of-warranty service for your ZvPro Series Modulator (MODEL NUMBERS ZVP820-EU, ZVP810-EU, ZVP620-EU, ZVP610-EU), please contact your local distributor where you purchased the product. You may also contact ZeeVee by email at Support@ZeeVee.com or by calling +1 877.493.3833 for information on the possibility of and any costs for repair or replacement of out-of-warranty products. No agent, company, dealer, distributor, or person is authorized to change, modify, or extend the terms of these warranties in any manner.

Declaration of Conformity

Manufacturer's Name: ZeeVee, Inc.
1 Monarch Drive, Suite 200
Littleton, Massachusetts
01460 USA

declares that the product
Product Name: ZvPro Series

Regulatory Product Number: ZVP820
ZVP810
ZVP620
ZVP610
(all product options on all variants)

conforms to the following Product Specifications:

Safety: IEC 60065: Audio, Video and similar electronic apparatus
IEC 60065: 2001 (Seventh Edition) + A1:2005

EMC: RF Emissions per FCC Part 15 / Canada CS-03 / European EN55022 : Class A
EN55024: European Union (RF Immunity/Susceptibility)
EN61000-4-2: Electrostatic Discharge
EN61000-4-3: Radio Frequency Interference
EN61000-4-4: Electrical Fast Transients
EN61000-4-5: Surge
EN61000-4-6: Conducted Radio Frequency Interference
EN61000-4-8: Magnetics
EN61000-4-11: Dips and Interrupts

The listed products herewith comply with the requirements of the EMC Directive 2004/108/EC and the Low Voltage Directive 2—6/95/EC and carry the CE-Marking accordingly.

All listed products meet the RoHS guidelines for electronic components, and hardware. This complies with the requirements of the (RoHS 2) DIRECTIVE 2011/65/EU OF THE EUROPEAN PARLIAMENT AND OF THE COUNCIL of 8 June 2011 governing the use of the substances: Lead, Mercury, Hexavalent Chromium, Cadmium, Polybromated Biphenyls, Polybromated Diphenyl Ether, Pentabromodiphenyl Ether, Octabromodiphenyl Ether, Decabromodiphenyl Ether.

Stephen Metzger
Vice President of Engineering
Direct all specific inquires to the ZeeVee, Inc. Engineering Department
April 9, 2013

